

Accessories and supplies

The following items are available through a local, authorized HP dealer or through the HP Web site—<http://www.hp.com>.

Table 61. Accessories and supplies

Description	Part number	Exchange number	Product number
500-sheet paper feeder and tray			Q1866A
250-sheet paper feeder and tray			Q1865A
Duplex printing accessory (duplexer)		Q1860-69010	Q1864A
250-sheet replacement tray	RG5-7188-030CN		C4116A
500-sheet replacement tray	RG5-7164-000CN	C4117-69001	C4117A
HP multi-purpose paper			HPM1120
HP LaserJet paper			HPJ1124
Toner cartridge (10,000 pages)			C4129X
SDRAM dual in-line memory module (DIMM)			
4 MB	C4140-67901		C4140A
8 MB	C7842-67901		C7842A
16 MB	C7843-67901		C7843A
32 MB	C7845-67901		C7845A
64 MB	Q1887-67901		Q1887A
128 MB	C9121-67901		C9121A
Flash DIMM			
2 MB			C4286A
4 MB			C4287A
Font DIMM (8 MB Asian MROM)			
Arabic			5062-4670
Cyrillic			5062-4669
Greek			5062-4667
Hebrew			5062-4668
Korean			D4838A
Traditional Chinese			C4292A
Simplified Chinese			C4293A
Hard disk			
			J6054A
Parallel cables			
2-Meter IEEE-1284 cable			C2950A
3-Meter IEEE-1284 cable			C2951A
Enhanced I/O Cards			
Ethernet RJ-45 only	J6057-61001	J6057-69001	J6057A
Ethernet RJ-45 and BNC, Local Talk	J3111-61001	J3111-69001	J3111A
Token Ring RJ-45 and DB-9	J4167-61001	J4167-69001	J4167A
802.11 Wireless (U.S. part number only)	J6058-61201	J6058-69002	J6058A
Maintenance Kit			
110V	Q1860-67902	Q1860-69002	
220V	Q1860-67903	Q1860-69003	
Embedded Webserver DIMM			
	C9129-67902		C9129B

Common hardware and replacement cables

Table 62. Screws used in the printer

Description	Part number
Screw, M4x10 pan head tapping	XB4-7401-007CN
Screw, M4x8 truss head tapping	XB4-7400-807CN
Screw, M3x6 washer-head	XA9-0267-000CN
Screw, M4x16 w/washer	XA9-0838-000CN
Screw, M4x6 w/star washer	XA9-0265-000CN
Screw, M3x4 washer-head	XA9-0815-000CN
Screw, M4x6 screw w/washer	XB2-6400-607CN
Screw, M3x8 washer-head	XB6-7300-807CN
Screw, Long dc controller screws (M3x25)	XA9-0974-000CN

Table 63. Replaceable cables

Description	Part Number	Figure
Cable, display, accessory power, photo sensor	RG5-7073-000CN	Figure 164
Cable, fuser ac	RG5-3561-000CN	Figure 167
Cable, scanner	RG5-7072-000CN	Figure 167
Cable, paper sensor (PS307)	RG5-3554-000CN	Figure 164
Cable, paper sensor (PS402)	RG5-3558-000CN	Figure 164
Cable, ribbon, paper-handling PCA- to-dc controller	RG5-7086-000CN	Figure 164
Cable, DCC-LVPS	RH2-5337-000CN	Figure 177
Cable, display	RG5-3575-000CN	Figure 163

Diagrams and parts lists

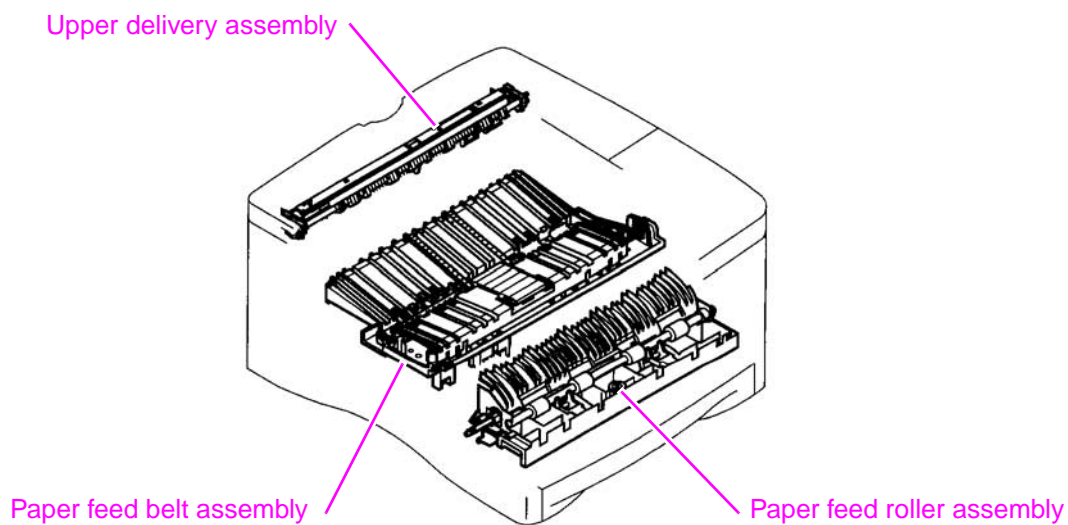


Figure 159. Assembly locations (1 of 3)

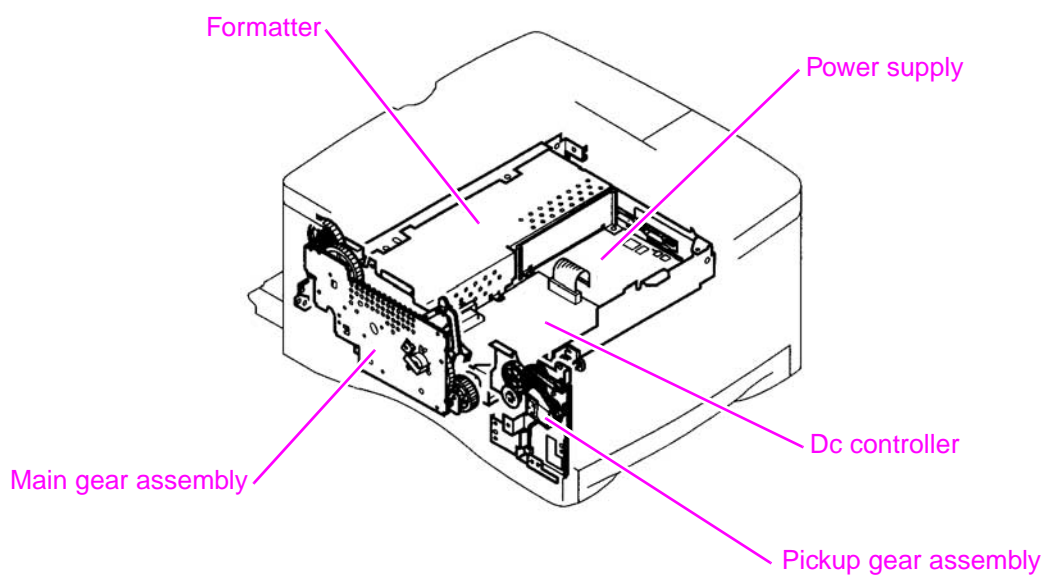


Figure 160. Assembly locations (2 of 3)

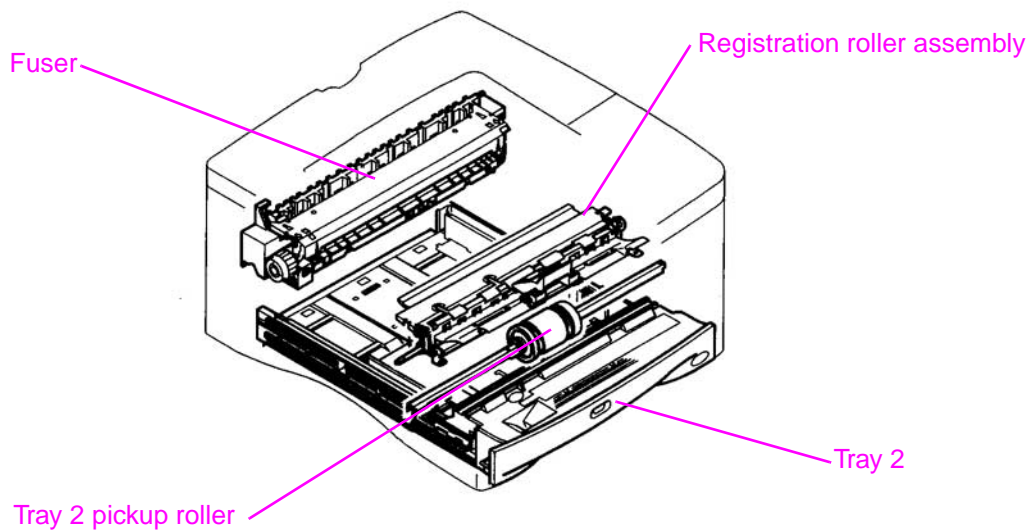


Figure 161. Assembly locations (3 of 3)

Table 64. Assemblies listed alphabetically and their part numbers

Description	Part number	Exchange number	Exploded view in figure
Dc controller	RG5-7057-000CN	Q1860-69005	Figure 176
Firmware DIMM, HPLJ 5100 (base)	Q2449-67901		Not shown
Firmware DIMM, HPLJ 5100Le	Q2467-67901		Not shown
Firmware DIMM, HPLJ 5100tn, 5100dtn	Q2451-67901		Not shown
Formatter (HPLJ base, 5100tn, 5100dtn)	Q1860-67901	Q1860-69001	Not shown
Formatter (HPLJ 5100Le)	Q1863-67901	Q1863-69001	Not shown
Fuser, 110V	RG5-7060-000CN	Q1850-69008	Figure 178
Fuser, 220V	RG5-7061-000CN	Q1850-69009	Figure 178
Power supply, 110V	RH3-2248-000CN	Q1860-69006	Figure 176
Power supply, 220V	RH3-2249-000CN	Q1860-69007	Figure 176
Upper delivery assembly	RG5-3542-090CN		Figure 168
Paper feed roller assembly	RG5-7084-000CN		Figure 171
Paper feed belt assembly	RG5-4914-000CN		Figure 170
Registration roller assembly	RG5-4916-000CN		Figure 172
Pickup gear assembly	RG9-1524-000CN		Figure 175
Main gear assembly	RG5-7079-000CN		Figure 174
Tray 2	RG5-7188-030CN		Figure 173
Tray 2 pickup roller	RB2-1821-020N		Figure 169

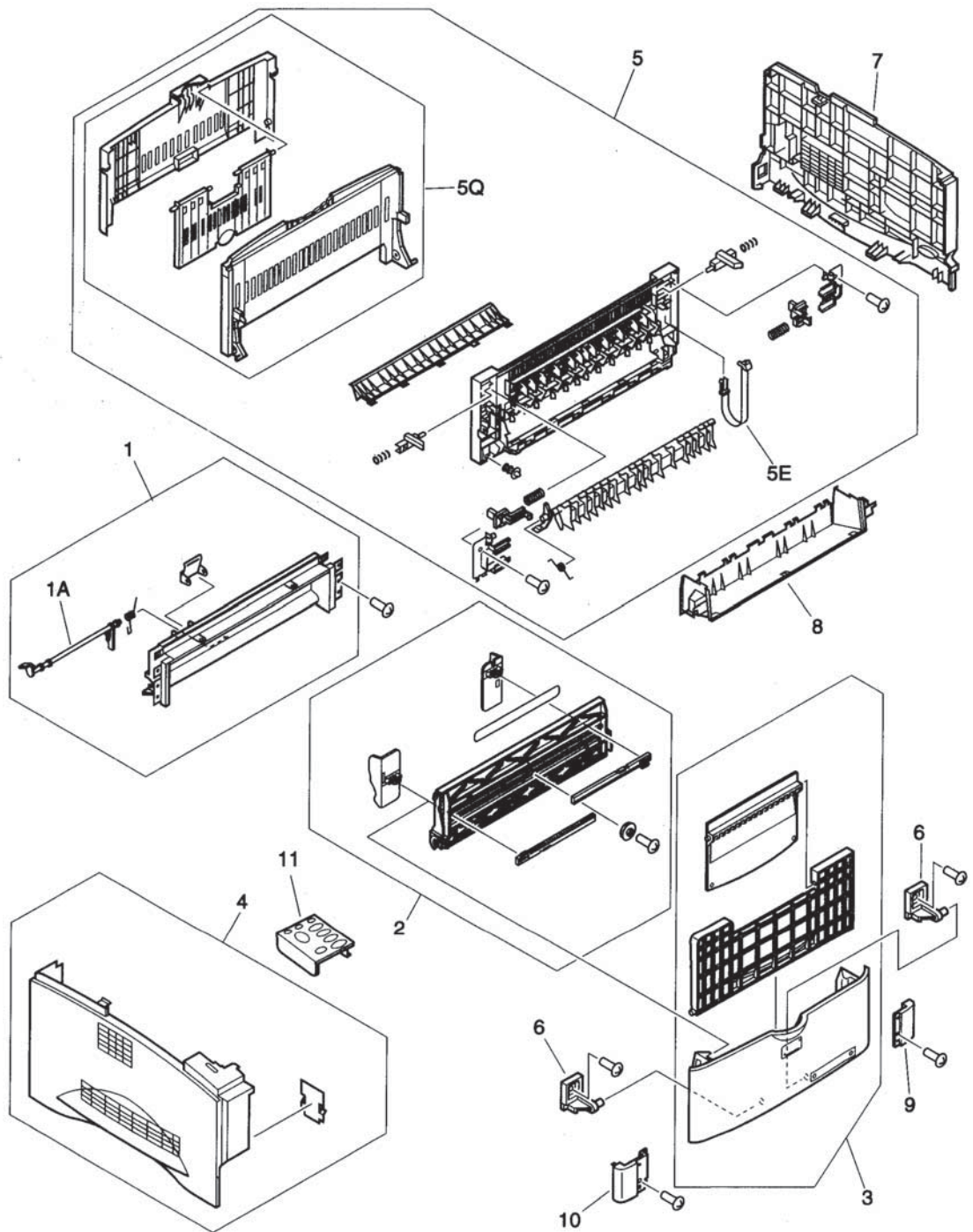


Figure 162.

External covers and panels

Table 65. External covers and panels

Item number	Part number	Quantity	Description
1	RG5-3547-040CN	1	Cover, front inner
1A	RB1-6134-030CN	1	Tray 1 sensor arm
2	RG5-3548-000CN	1	Tray 1 paper guide
3	Q1860-67904	1	Cover, front
4	RG5-3550-000CN	1	Cover, left side
5	RG5-3551-040CN	1	Cover, rear

Table 65. External covers and panels (continued)

Item number	Part number	Quantity	Description
5E	RB2-1977-000CN	1	Strap, rear output support
5Q	RG5-3552-000CN	1	Face-up tray assembly
6	RB2-1745-000CN	2	Pin, front cover
7	RB2-1749-000CN	1	Cover, right side
8	RB2-1747-000CN	1	Cover, face-down auxiliary
9	RB2-1755-000CN	1	Cover, right corner
10	RB2-1756-000CN	1	Cover, left corner
11	C4110-40004	1	Overlay, English (other languages available)

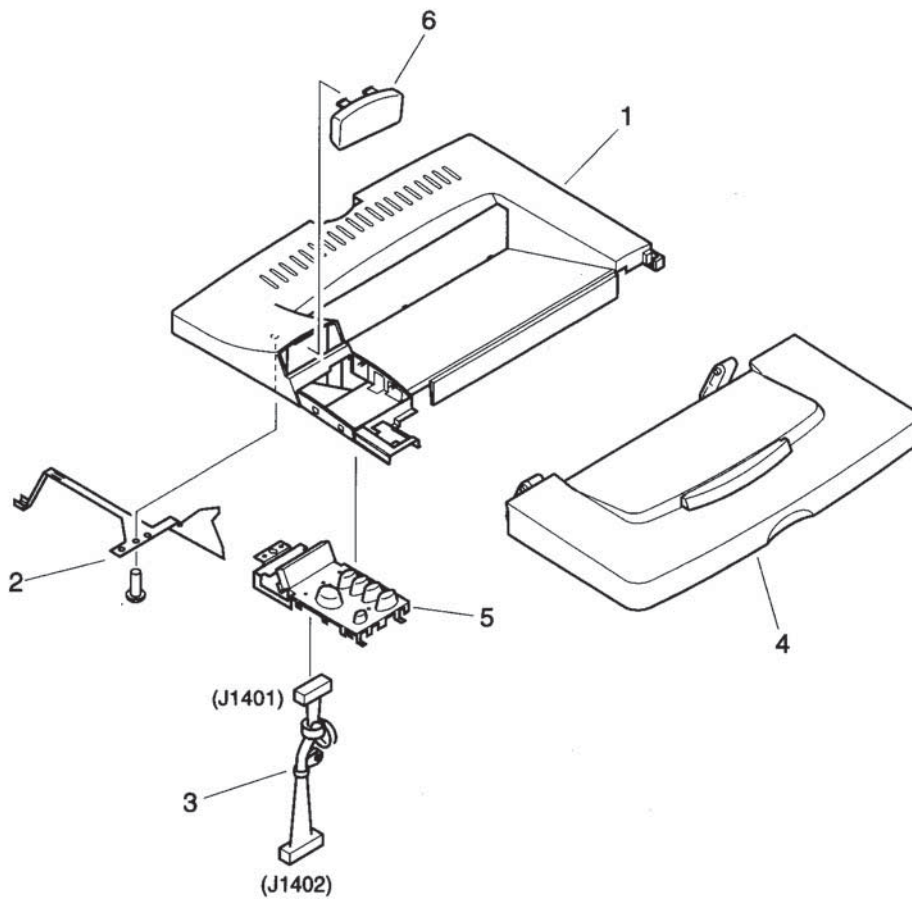


Figure 163. Upper cover assembly

Table 66. Top cover assembly

Item number	Part number	Quantity	Description
1	RB2-1748-000CN	1	Cover, top
2	RB2-1759-000CN	1	Control panel leaf spring
3	RG5-3575-000CN	1	Cable, control panel
4	RG5-3556-040CN	1	Toner cartridge door assembly
5	RG5-5438-030CN	1	Control panel assembly
6	RB2-1758-000CN	1	Cover, control panel LED

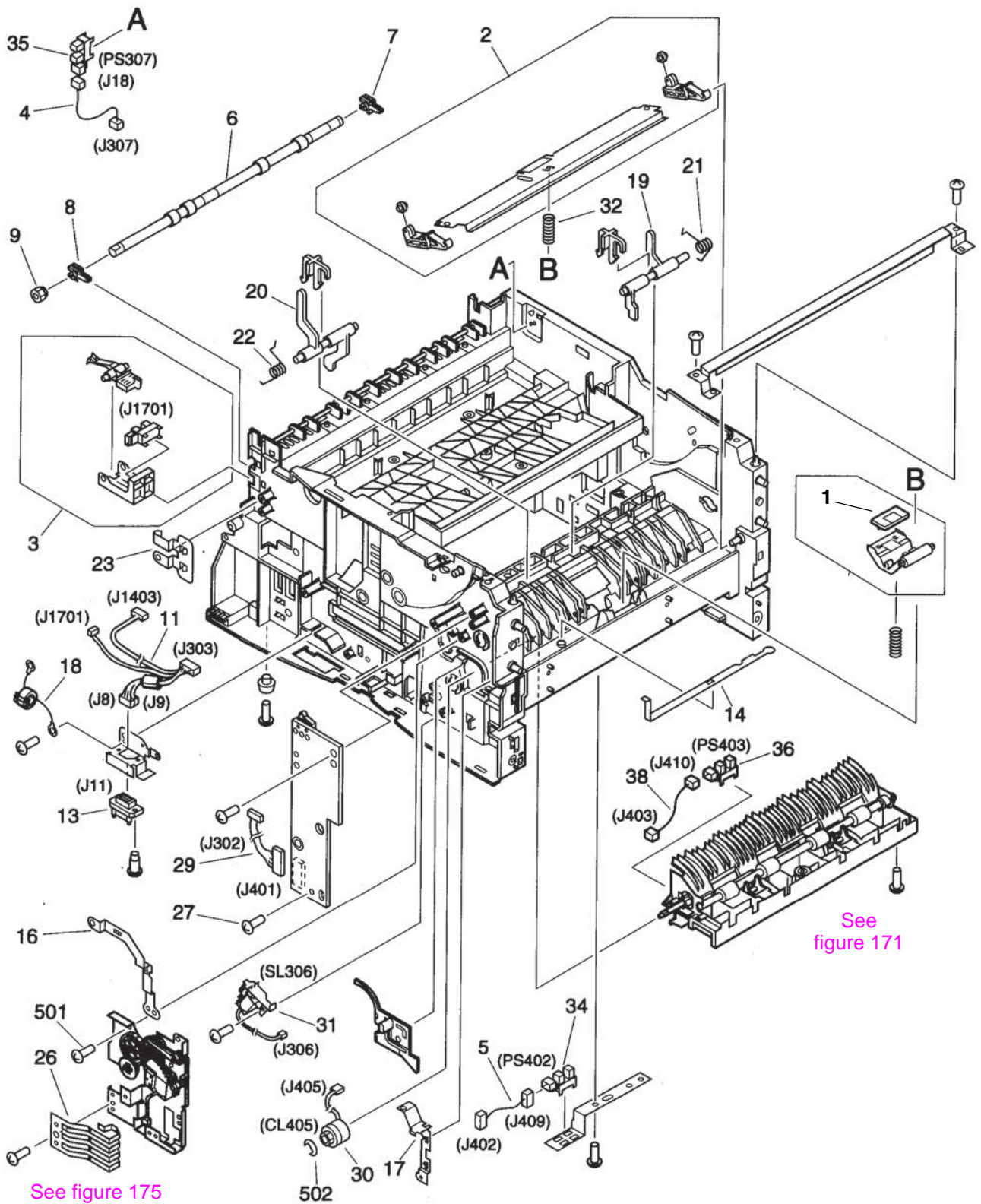
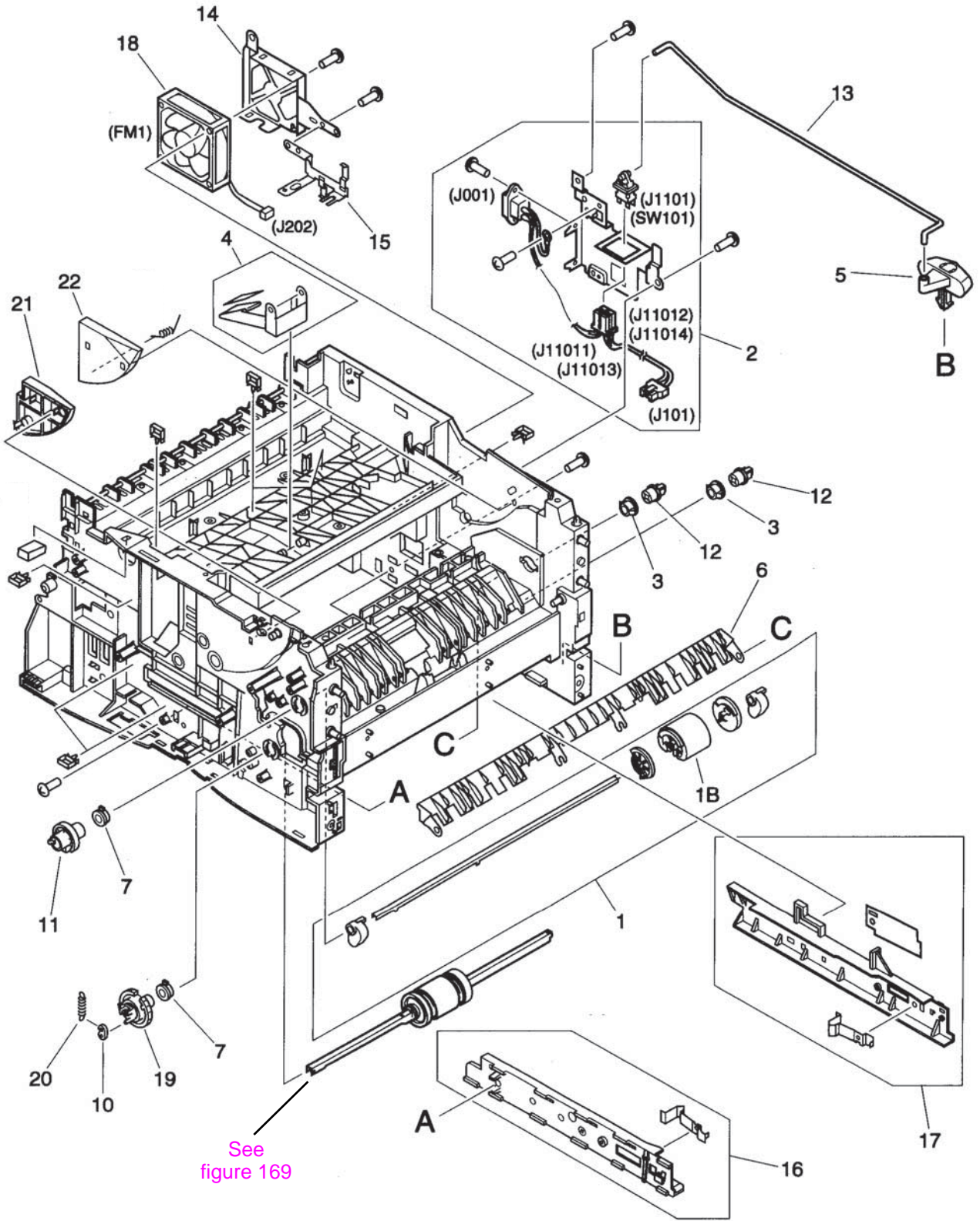


Figure 164. Internal components (1 of 4)

Table 67. Internal components (1 of 4)

Item number	Part number	Quantity	Description
1	RF5-4119-000CN	1	Tray 1 separation pad
2	RG5-3520-060CN	1	Tray 1 paper guide plate assembly
3	RG5-3553-000CN	1	Sensor, rear door
4	RG5-3554-000CN	1	Cable, paper sensor (PS307)
5	RG5-3558-000CN	1	Cable, paper sensor (PS402)
6	RB2-1985-000CN	1	Roller, lower delivery
7	RB2-1988-020CN	1	Bushing, right lower delivery roller
8	RB2-1989-000CN	1	Bushing, left lower delivery roller
9	RS6-0357-000CN	1	Gear, lower delivery shaft
11	RG5-7073-000CN	1	Cable, display, accessory power, photo sensor
13	WS6-5092-000CN	1	Power connector
14	RB1-6141-000CN	1	Grounding plate
16	RB2-1734-000CN	1	Grounding plate
17	RB2-1735-000CN	1	Grounding plate
18	RG5-7074-000CN	1	Grounding cable
19	RB2-1781-000CN	1	Lever, registration sensor
20	RB2-1782-000CN	1	Lever, top-of-page sensor
21	RB2-1783-000CN	1	Spring, registration sensor
22	RB2-1784-000CN	1	Spring, top-of-page sensor
23	RB2-1990-000CN	1	Grounding plate
26	RB2-1825-000CN	1	Spring, Tray 2 size sensor
27	XA9-0267-000CN	2	Screw, M3x6, TP
29	RG5-7086-000CN	1	Cable, ribbon, paper-handling PCA to dc controller
30	RH7-5345-000CN	1	Clutch, registration
31	RH7-5236-000CN	1	Solenoid, Tray 2 pickup
32	RS5-2441-000CN	1	Spring, compression
34	WG8-5362-000CN	1	Sensor, PS402
35	WG8-5375-000CN	1	Sensor, face-down bin-full, PS307
36	WG8-5362-000CN	1	Sensor, PS403
38	RG5-3523-000CN	1	Cable, paper sensor (PS403)
501	XB4-7401-007CN	14	Screw, M4x10, tapping
502	XD2-1100-322CN	1	E-ring



See figure 169

Figure 165. Internal components (2 of 4)

Table 68. Internal components (2 of 4)

Item number	Part number	Quantity	Description
1	RG5-3519-020CN	1	Pickup roller assembly, Tray 1
1B	RB2-1820-020CN	1	Roller, Tray 1 pickup
2	RG5-3545-000CN	1	Power inlet assembly
3	RB1-6179-000CN	2	Pickup shaft bushing—trays 1 and 2
4	RF5-2421-000CN	1	Shutter lever
5	RB2-1744-000CN	1	On/off switch
6	RB2-1780-000CN	1	Paper guide
7	RS5-1392-000CN	2	Tray 1 and 2 pickup shaft left bushing
10	RB1-2190-000CN	1	Tray 2 spring
11	RB1-6130-000CN	1	Gear, pickup, Tray 1
12	RB1-6177-000CN	2	Pickup shaft bushing—trays 1 and 2
13	RB2-1731-000CN	1	Switch rod
14	RB3-0352-000CN	1	Grounding plate/fan housing
15	RB2-1736-000CN	1	Grounding plate
16	RF5-2397-000CN	1	Tray 2 rail left
17	RF5-2398-000CN	1	Tray 2 rail right
18	RH7-1552-000CN	1	Fan
19	RS5-0695-000CN	1	Tray 2 shaft gear
20	RS5-2434-000CN	1	Spring
21	RB2-1774-000CN	1	Cartridge guide left
22	RB2-1775-000CN	1	Cartridge guide right

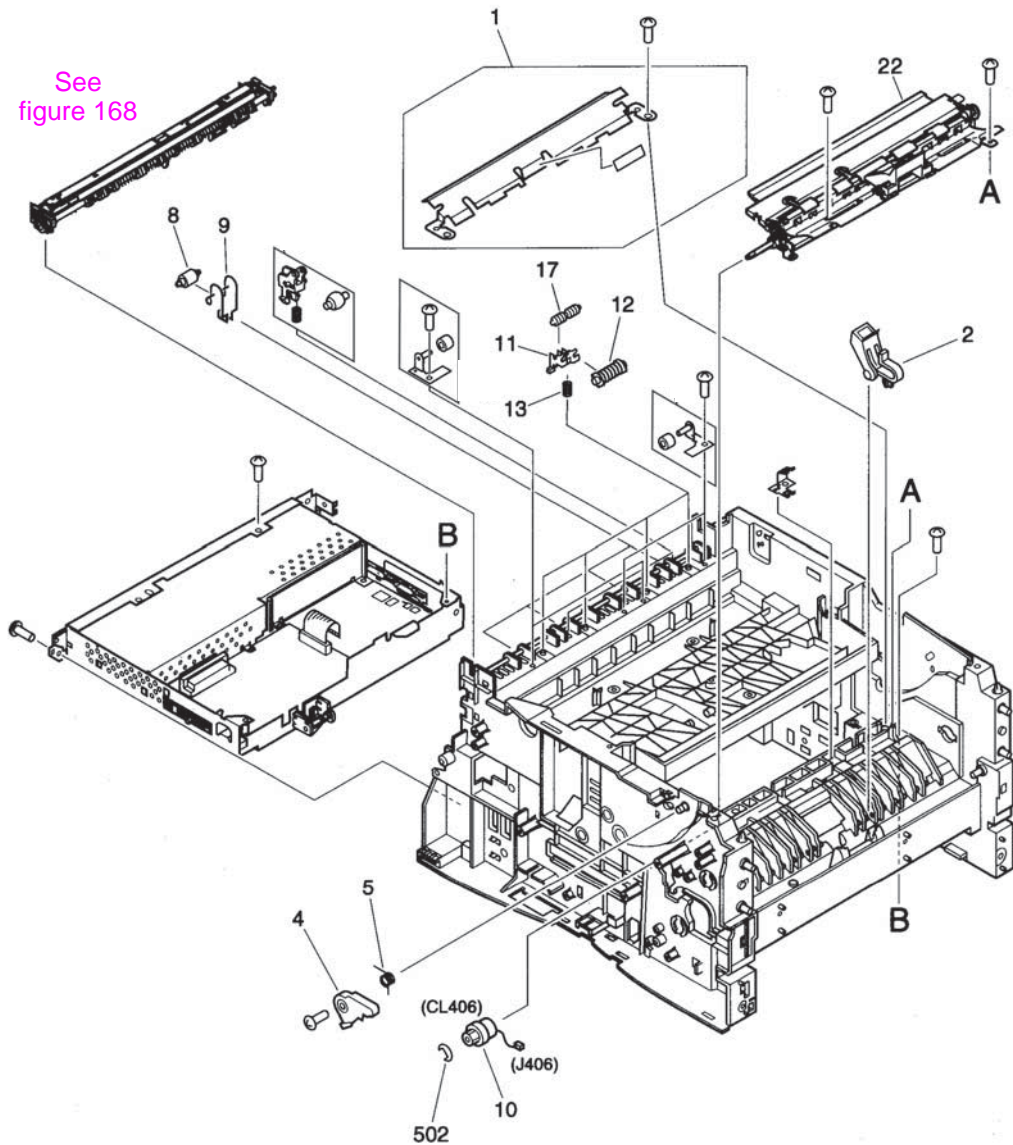


Figure 166. Internal components (3 of 4)

Table 69. Internal components (3 of 4)

Item number	Part number	Quantity	Description
1	RF5-4118-000CN	1	Transfer guide assembly
2	RF5-4117-000CN	2	Pad assembly
4	RB2-1732-000CN	1	Door switch
5	RB2-1739-000CN	1	Door switch spring
8	RB1-6251-000CN	4	Roller, lower-back delivery
9	RB2-2076-000CN	4	Roller spring, lower-back delivery
10	RH7-5346-000CN	1	Clutch, feed rollers
11	RB2-1997-000CN	4	Roller holder, top delivery
12	RG9-1337-000CN	4	Roller 1, face-down guide
13	RS5-2225-020CN	4	Roller spring, top delivery
17	RB2-1998-000CN	4	Roller 2, face-down guide
22	RG5-4916-000CN	1	Registration roller assembly
502	XD2-1100-322CN	1	E-ring

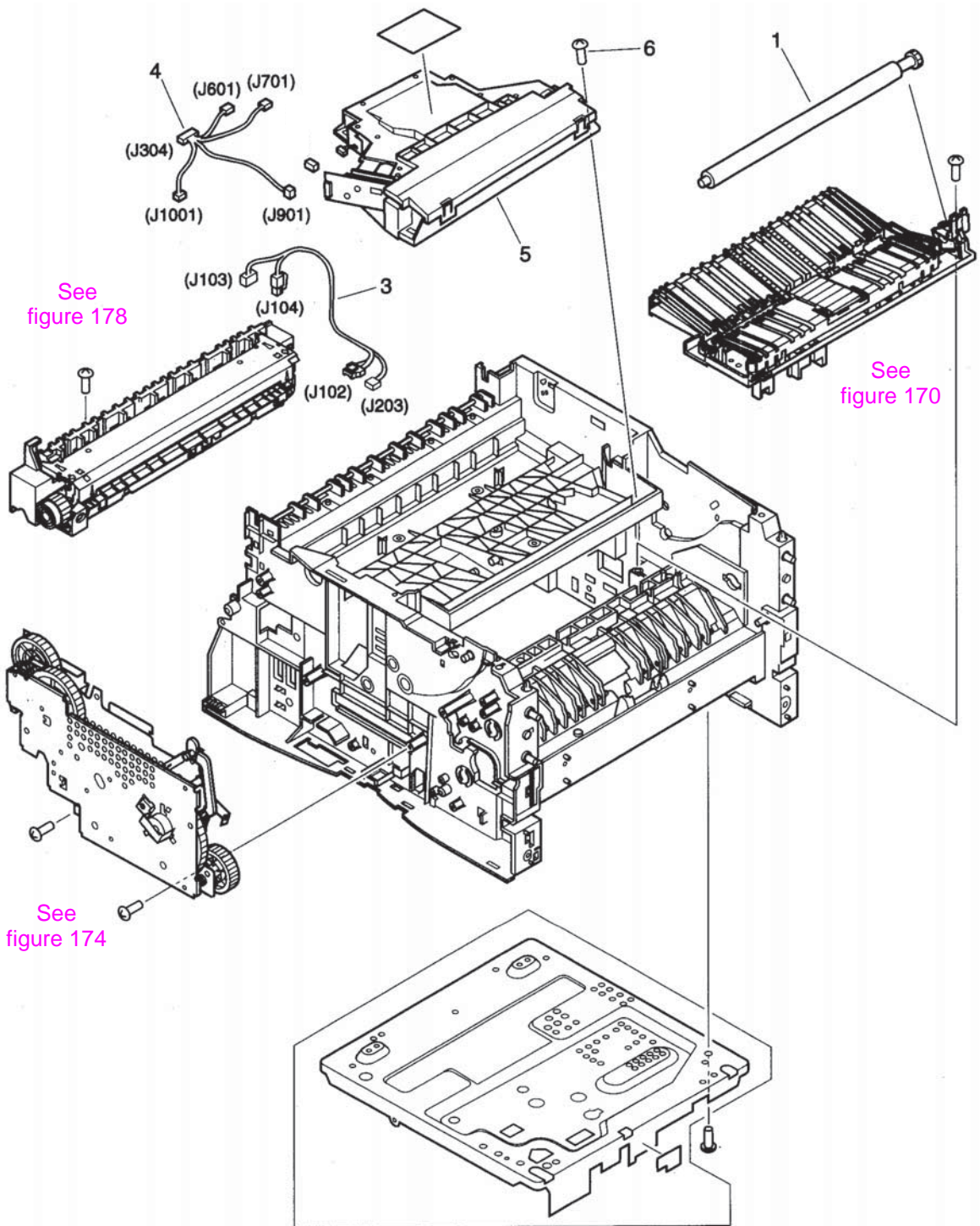


Figure 167. Internal components (4 of 4)

Table 70. Internal components (4 of 4)

Item number	Part number	Quantity	Description
1	RG9-1542-000CN	1	Transfer roller
3	RG5-3561-000CN	1	Cable (fuser ac)
4	RG5-7072-000CN	1	Cable (scanner)
5	Q1860-69004	1	Laser/scanner assembly
6	XA9-0838-000CN	4	Screw, M4x16, with washer

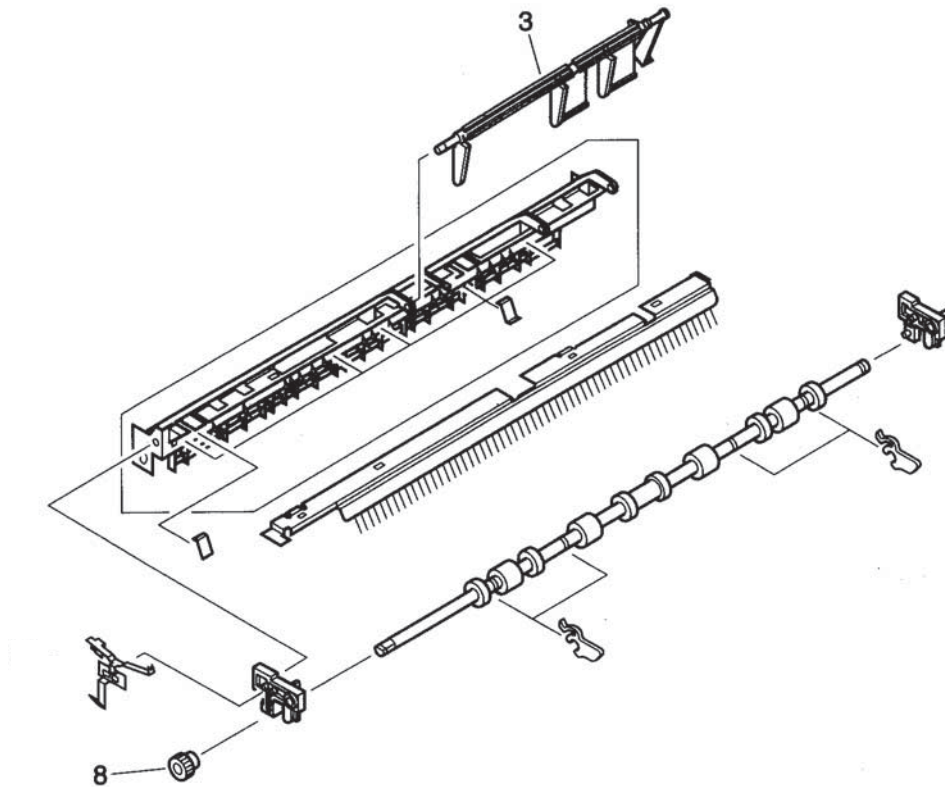


Figure 168. Upper delivery assembly

Table 71. Upper delivery assembly

Item number	Part number	Quantity	Description
	RG5-3542-090CN	1	Upper delivery assembly
3	RB2-1980-000CN	1	Lever, bin-full
8	RS6-0357-000CN	1	Gear, delivery roller

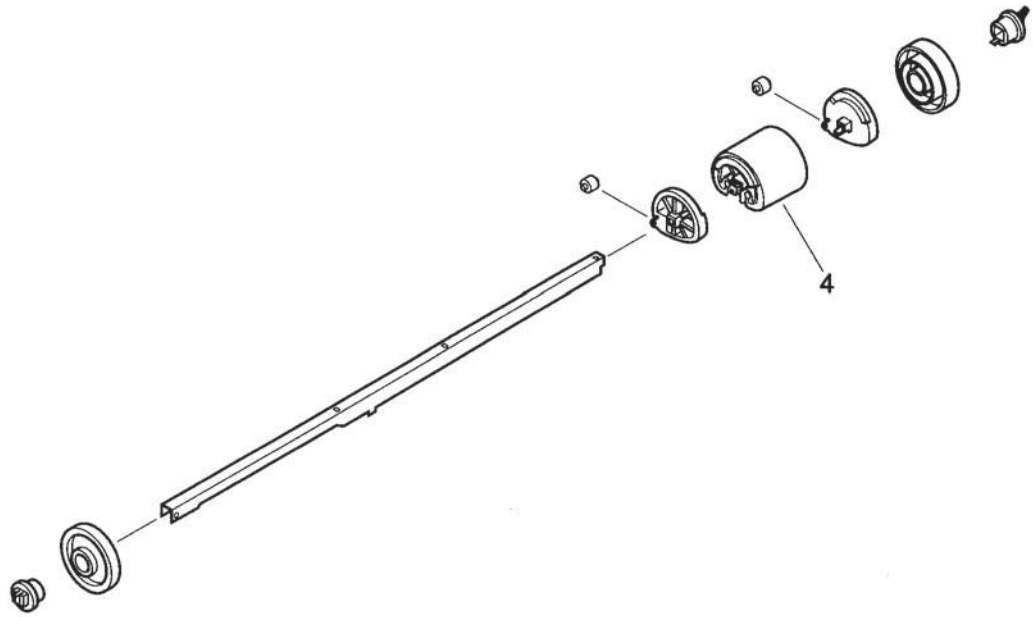


Figure 169. Tray 2 paper pickup roller assembly

Table 72. Tray 2 paper pickup roller assembly

Item number	Part number	Quantity	Description
	RG5-3521-020CN	1	Paper pick up roller assembly (Tray 2)
4	RB2-1821-020CN	1	Pickup roller 250-sheet trays

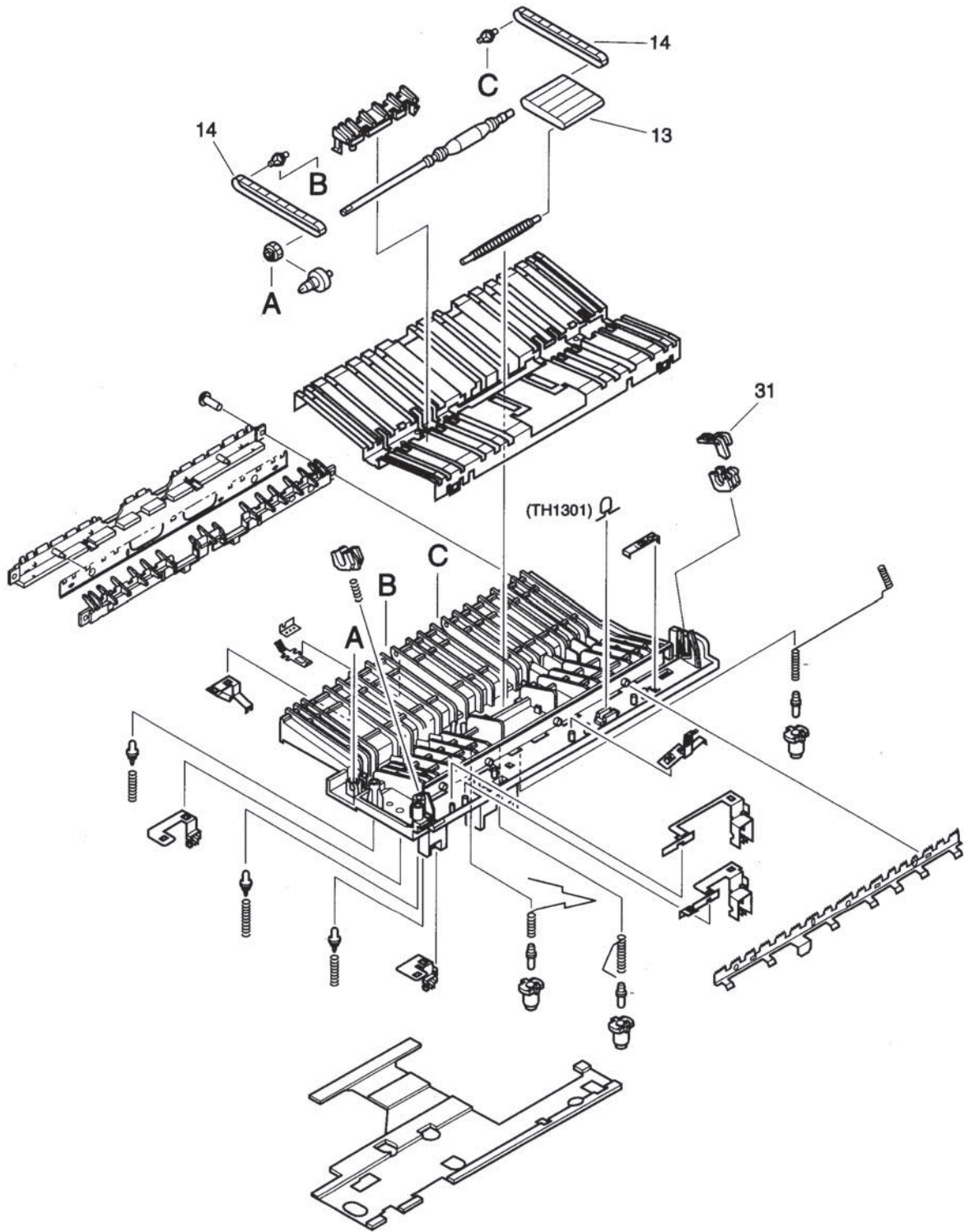


Figure 170. Paper feed belt assembly

Table 73. Paper feed belt assembly

Item number	Part number	Quantity	Description
	RG5-4914-000CN	1	Paper feed belt assembly
13	RB2-1887-000CN	1	Large feed belt
14	RB2-1888-000CN	2	Small paper feed belts
31	RB2-1905-000CN	1	Transfer roller bushing cover (right)

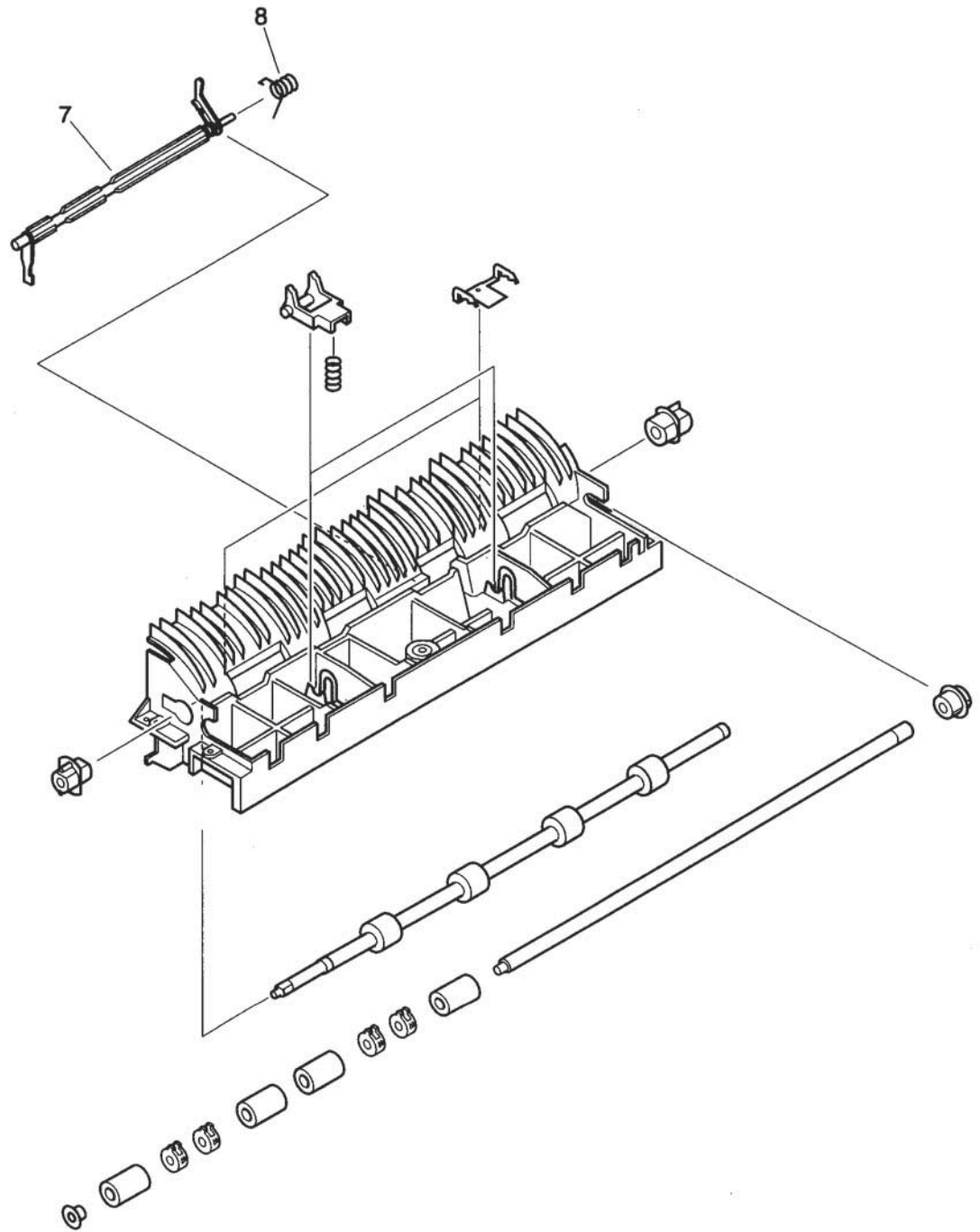


Figure 171. Paper feed roller assembly

Table 74. Paper feed roller assembly

Item number	Part number	Quantity	Description
	RG5-7084-000CN	1	Paper feed roller assembly
7	RB2-1807-000CN	1	Lever, registration sensor
8	RB2-1808-000CN	1	Spring, registration sensor

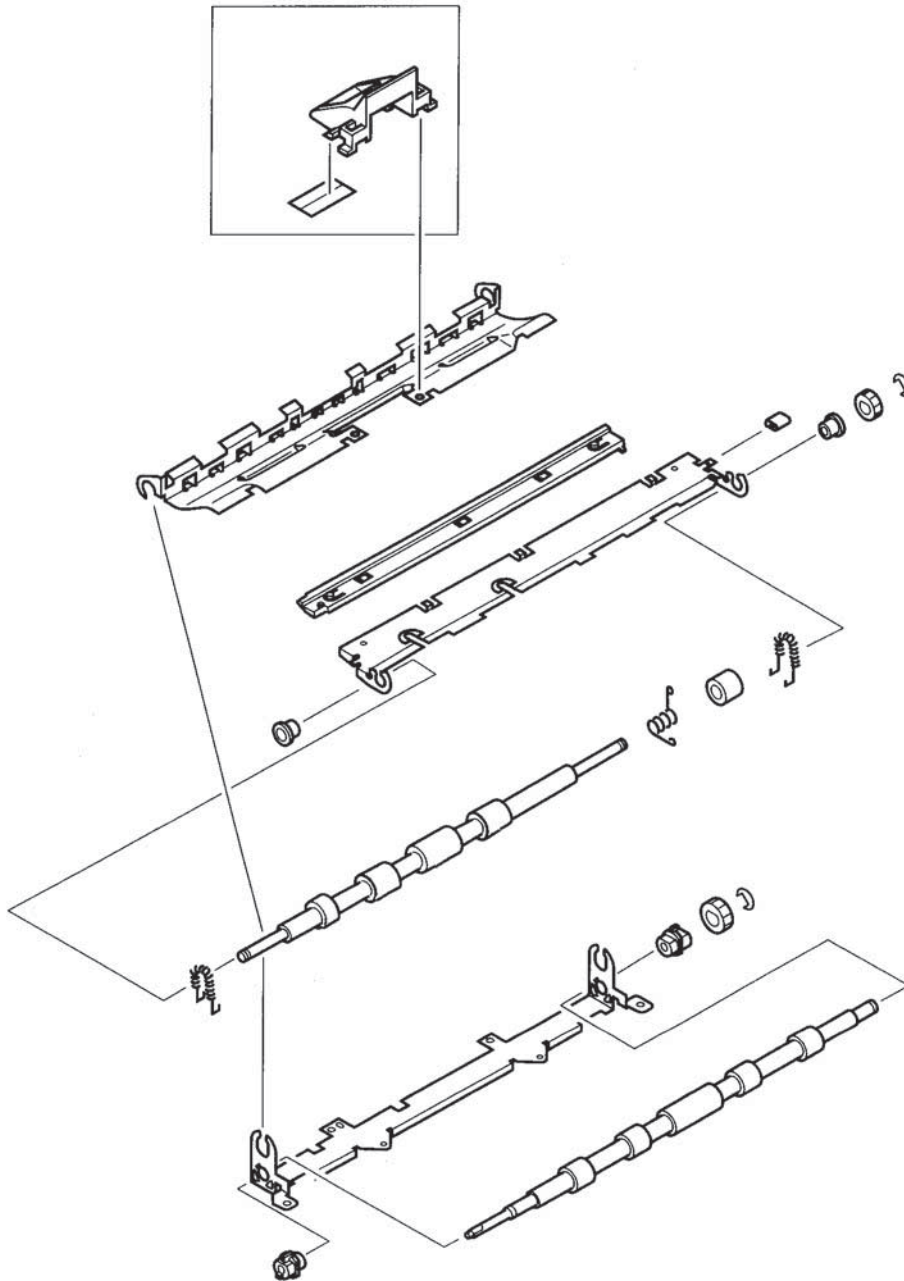


Figure 172. Registration roller assembly

Table 75. Registration roller assembly

Item number	Part number	Quantity	Description
	RG5-4916-000CN	1	Registration roller assembly

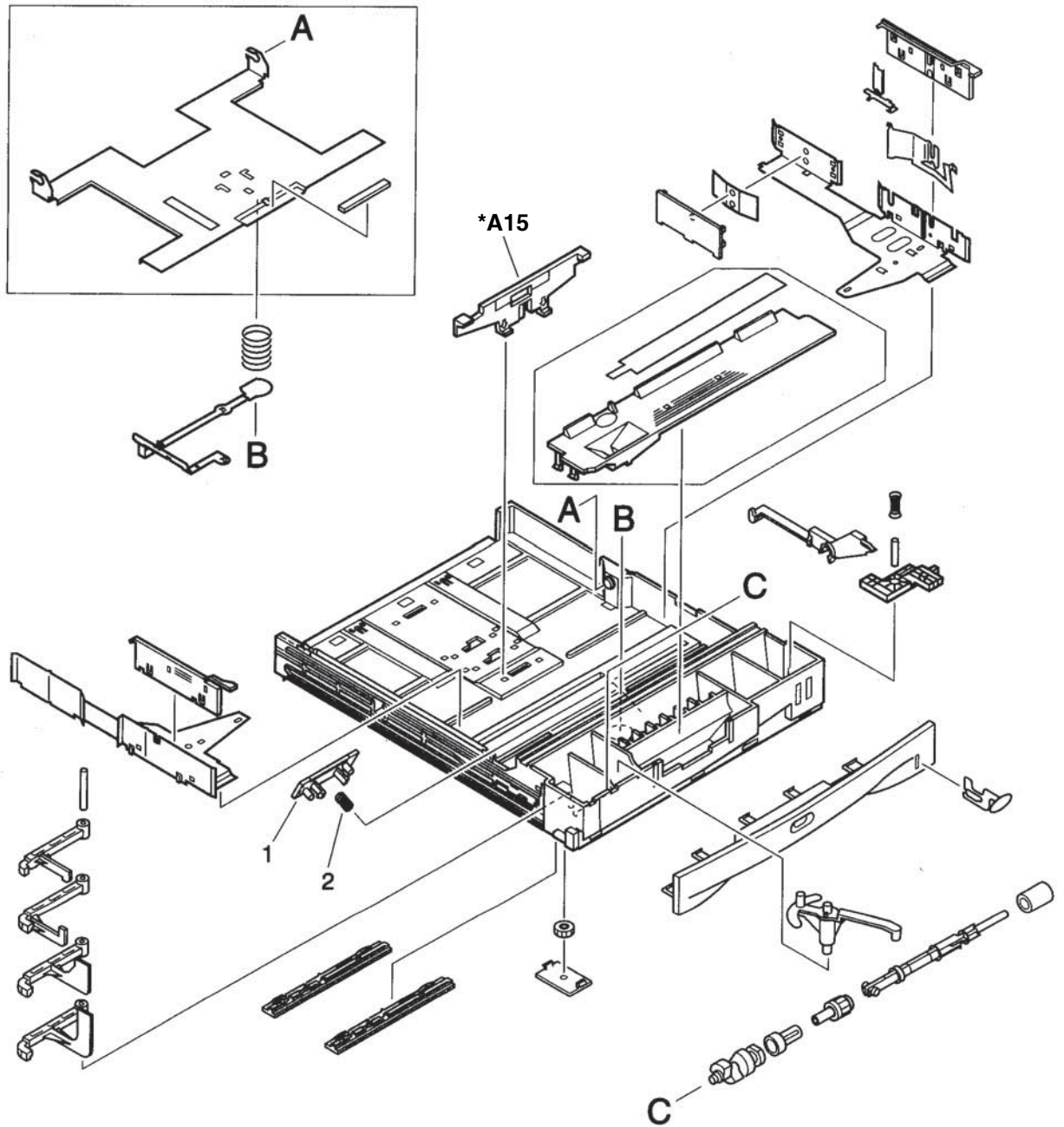


Figure 173. 250-sheet universal tray

Table 76. 250-sheet universal tray

Item number	Part number	Quantity	Description
	RG5-7188-030CN	1	250-sheet universal tray
*A15	RB2-2023-000CN	1	Plate, length adjustment
1	RF5-4120-000CN	1	Separation pad (does not include spring)
2	RS5-2439-000CN	1	Spring, separation pad

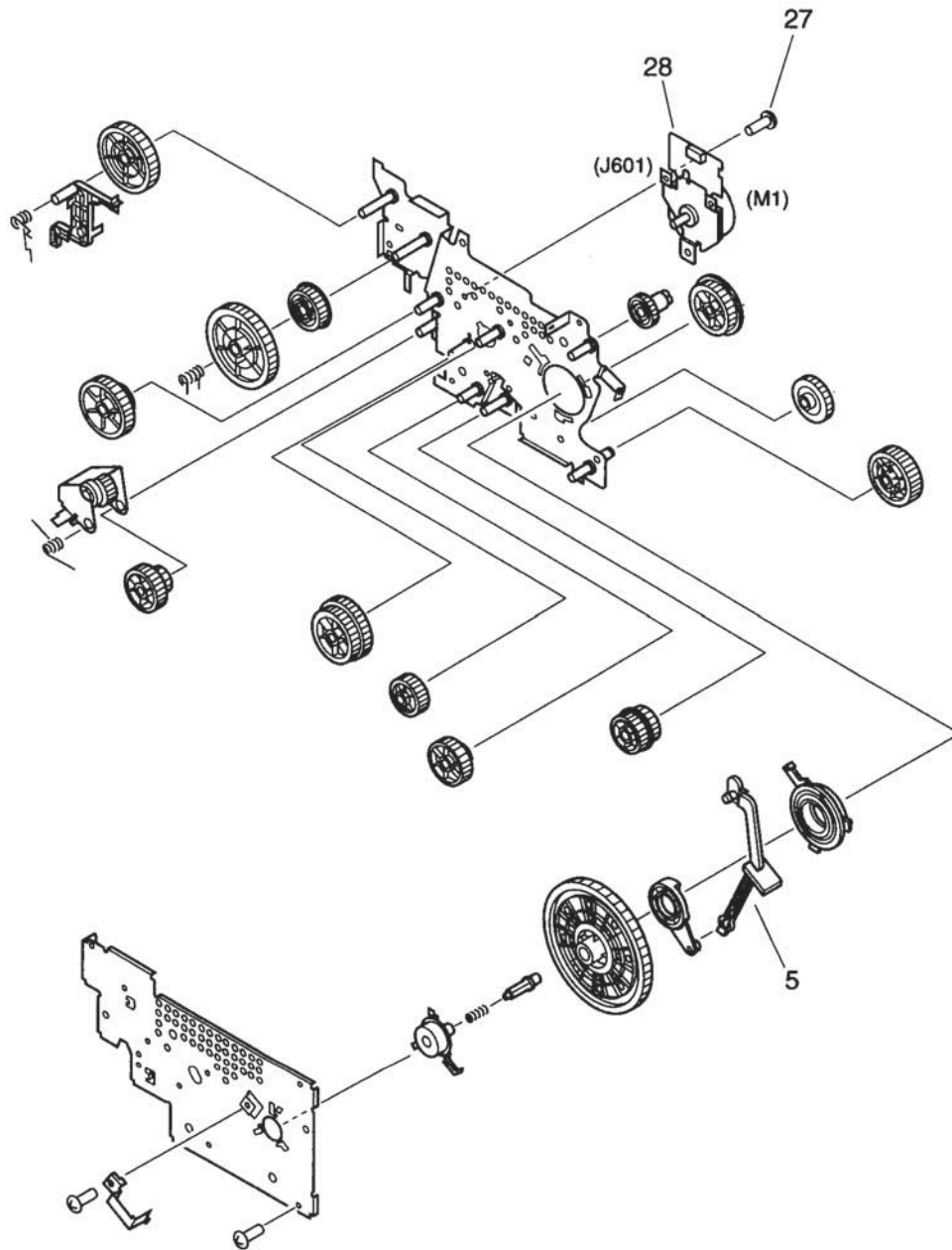


Figure 174. Main gear assembly

Table 77. Main gear assembly

Item number	Part number	Quantity	Description
	RG5-7079-000CN	1	Main gear assembly
5	RB2-1856-040CN	1	Toner cartridge engagement arm
27	XA9-0267-000CN	3	Screw, TP, M3x6
28	RH7-1428-000CN	1	Main motor

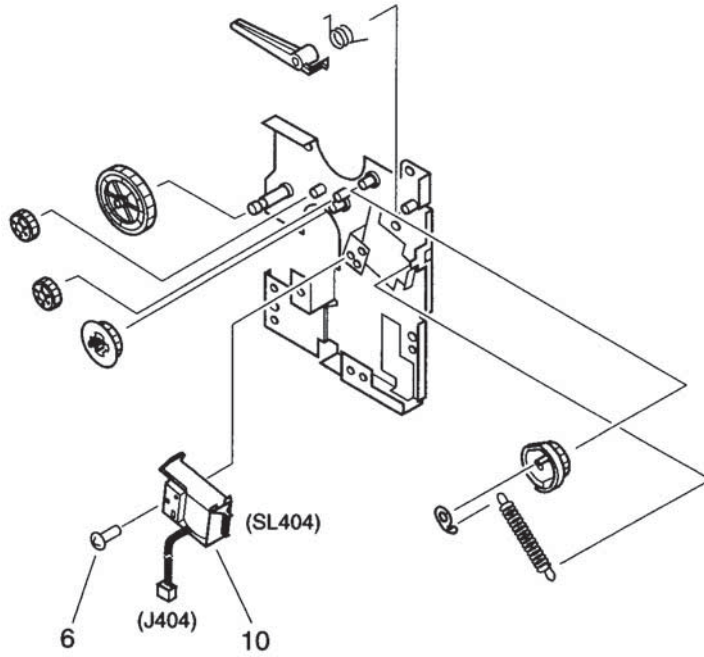


Figure 175. Pickup gear assembly

Table 78. Pickup gear assembly

Item number	Part number	Quantity	Description
	RG9-1524-000CN	1	Pickup gear assembly
6	XA9-0815-000CN	1	Screw, tp, M3x4
10	RH7-5235-000CN	1	Solenoid, pickup, SL404

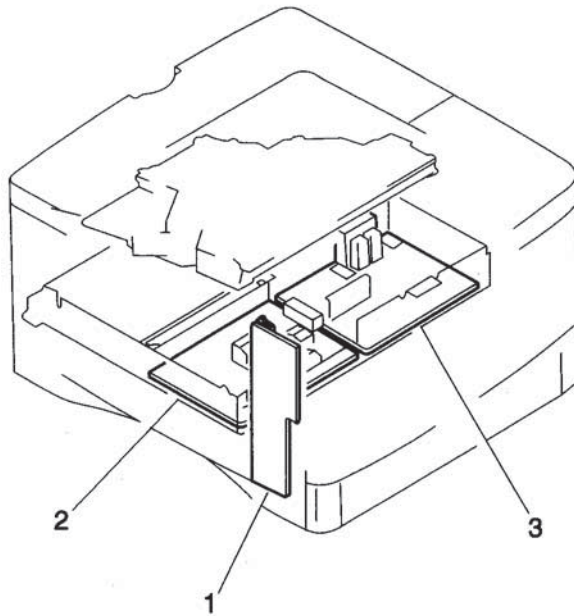


Figure 176. PCA assembly locations

Table 79. PCA assembly locations

Item number	Part number	Quantity	Description
1	RG5-7058-000CN	1	Paper handling PCA
2	Q1860-69005	1	Dc controller
3	Q1860-69006	1	Power supply (100 - 120V)
3	Q1860-69007	1	Power supply (220 - 240V)

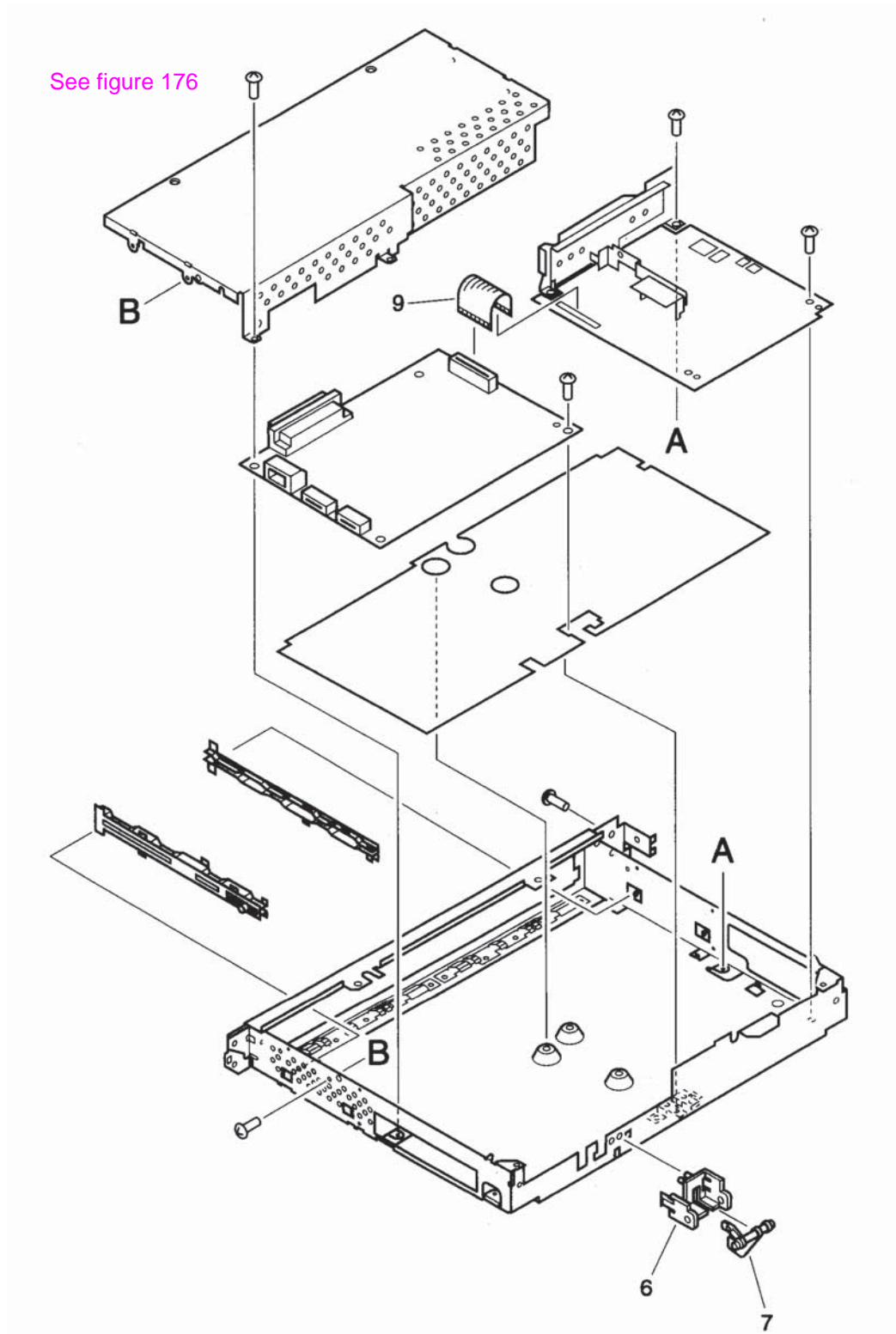


Figure 177. Printer controller assembly

Table 80. Printer controller assembly

Item number	Part number	Quantity	Description
6	RB2-1790-000CN	1	Sensor mount (rear of controller pan)
7	RB2-1791-000CN	1	Sensor lever
9	RH2-5337-000CN	1	Flat cable

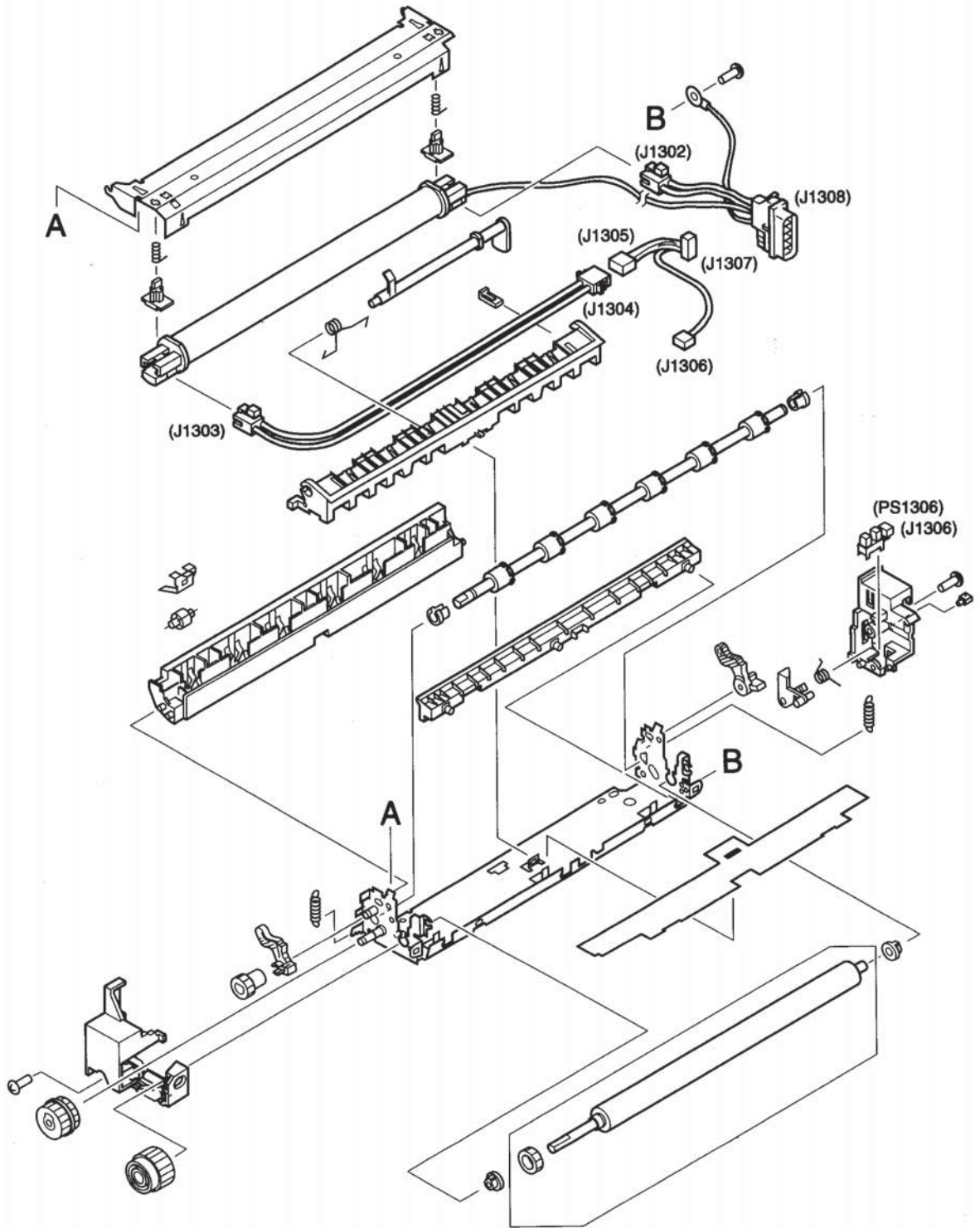


Figure 178. Fuser

Table 81. Fuser

Item number	Part number	Quantity	Description
	Q1860-69008	1	Fuser, exchange (100-120V)
	Q1860-69009	1	Fuser, exchange (220-240V)

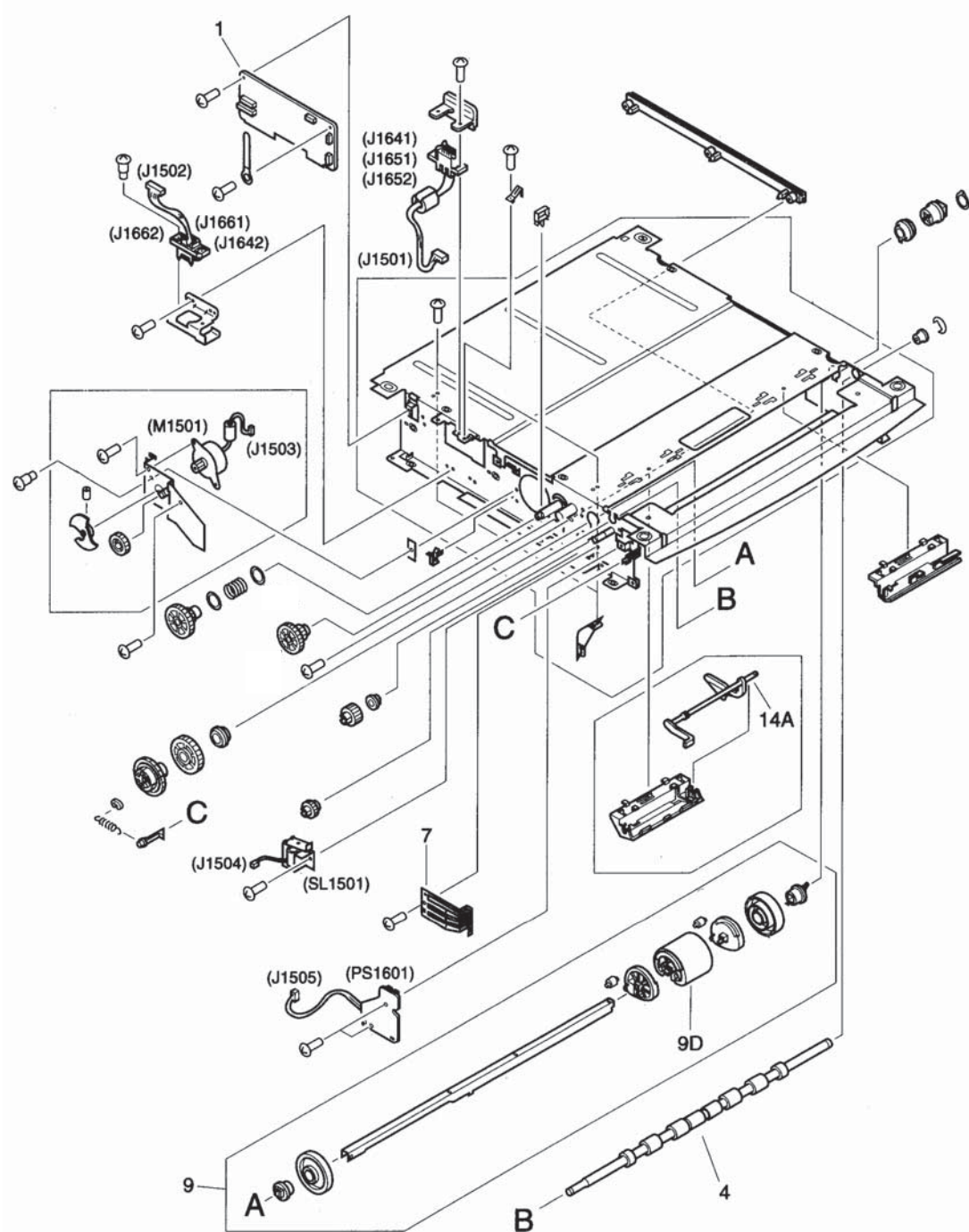


Figure 179.

250-sheet feeder

Table 82. 250-sheet feeder

Item number	Part number	Quantity	Description
(not shown)	RG5-7188-030CN	1	250-sheet universal tray
1	RG5-7184-000CN	1	Feeder controller PCA, 250-sheet feeder
4	RB1-7499-000CN	1	Roller, feed, 250-sheet feeder
7	RB1-7503-000CN	1	Spring, tray-size detect
9	RG5-3644-000CN	1	Pickup roller assembly
9D	RB2-1821-020CN	1	Pickup roller, 250-sheet trays
14A	RB1-7501-020CN	1	Lever, paper sensor

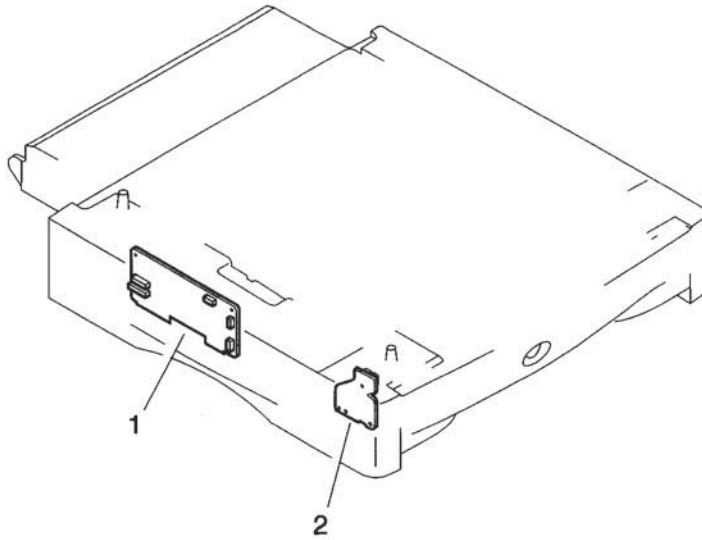


Figure 180. PCA assembly locations, 250-sheet feeder

Table 83. 250-sheet feeder

Item number	Part number	Quantity	Description
1	RG5-7184-000CN	1	Feeder control PCA, 250-sheet feeder
2	RG5-2125-000CN	1	Paper-size switch PCA, 250-sheet feeder

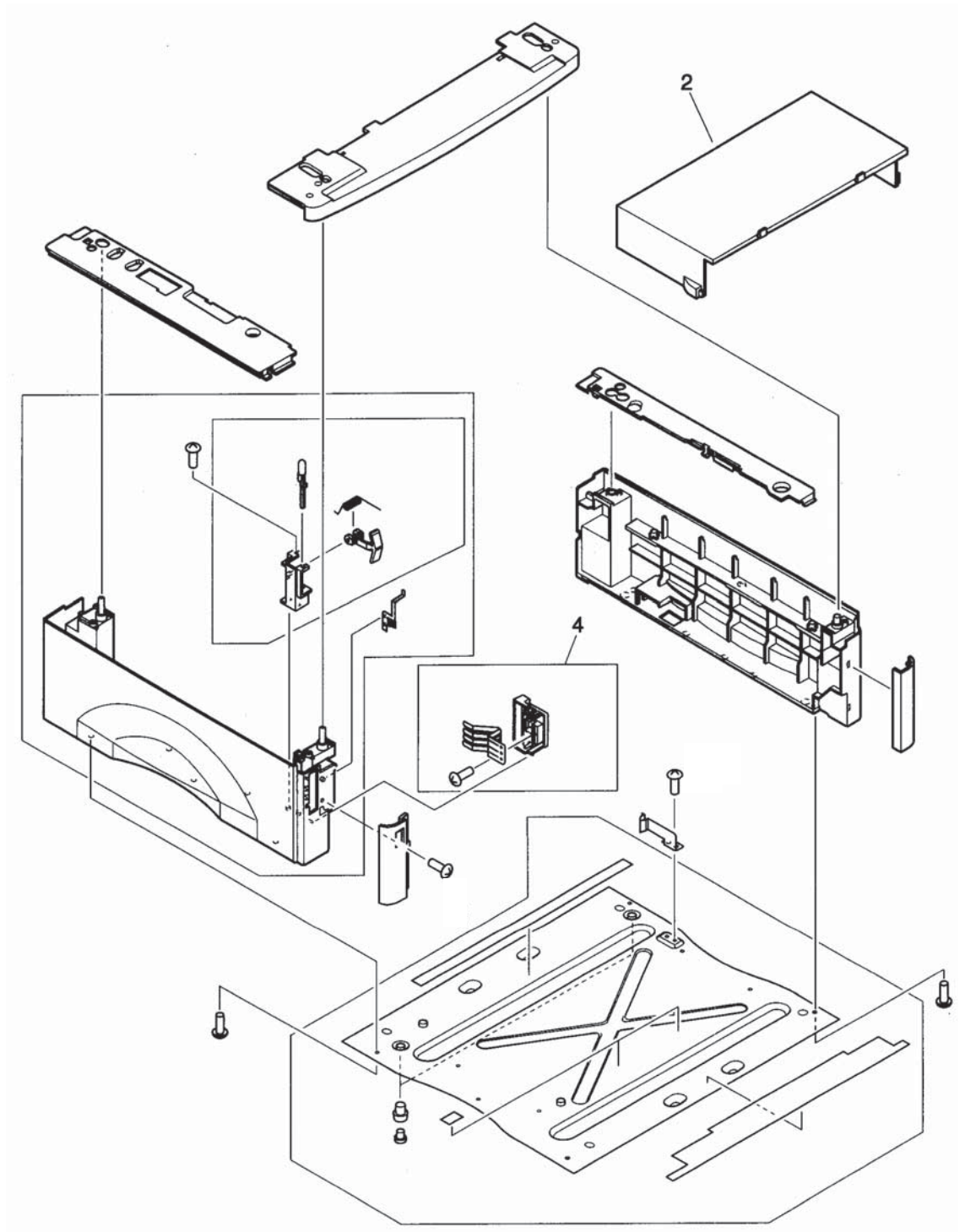


Figure 181. 500-sheet feeder (1 of 2)

Table 84. 500-sheet feeder (1 of 2)

Item number	Part number	Quantity	Description
(not shown)	RG5-7164-000CN	1	500-sheet replacement tray
(not shown)	C4117-69001	1	500-sheet replacement tray (exchange)
2	RB3-0441-000CN	1	Tray cover, rear of 500-sheet feeder
4	RG5-7196-000CN	1	Paper-size detection assembly

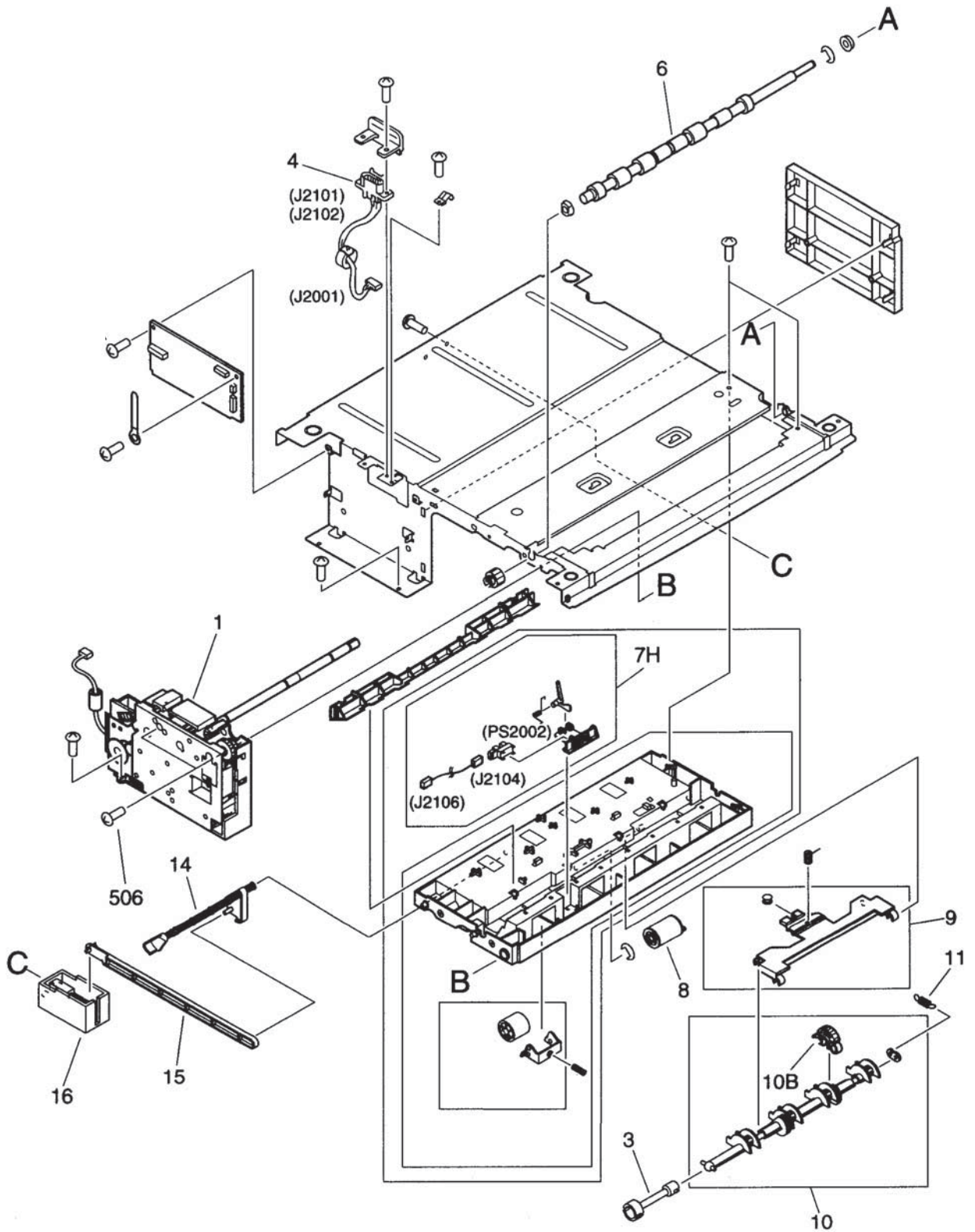


Figure 182. 500-sheet feeder (2 of 2)

Table 85. 500-sheet feeder (2 of 2)

Item number	Part number	Quantity	Description
(not shown)	RG5-7164-000CN	1	500-sheet replacement tray
1	RG5-7194-000CN	1	Paper pickup drive assembly
3	RB2-3314-000CN	1	Joint
4	RG5-7198-000CN	1	Upper contact cable
6	RB2-3232-000CN	1	Feed roller
7H	RF5-4151-000CN	1	Tray sensor assembly
8	RF5-2634-000CN	1	Roller, feed, 500-sheet feeder
9	RF5-2635-000CN	1	Paper arm
10	RF5-2636-000CN	1	Pickup roller assembly
10B	RB1-8865-000CN	1	D-roller
11	RS5-2632-000CN	1	Spring, tension
14	RB3-0431-000CN	1	Paper sensor flag
15	RB3-0443-000CN	1	Paper sensor flag link
16	RB3-0444-000CN	1	Paper sensor flag link holder
506	XB4-7301-207CN	2	M3x12 screw, tapping, truss head

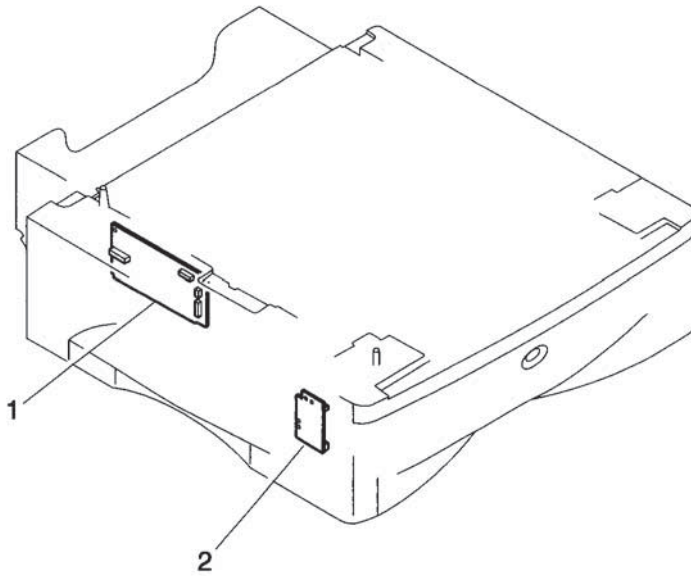


Figure 183. PCA assemblies, 500-sheet feeder

Table 86. 500-sheet feeder

Item number	Part number	Quantity	Description
1	RG5-7197-000CN	1	Feeder controller PCA, 500-sheet feeder
2	RG5-4212-020CN	1	Paper-size switch PCA, 500-sheet feeder

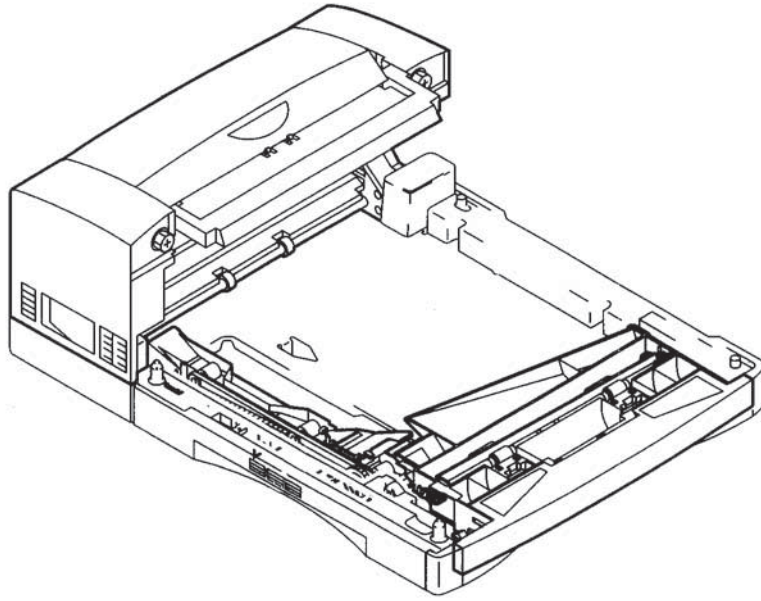


Figure 184. Duplexer

Table 87. Duplexer

Item number	Part number	Quantity	Description
	Q1860-69010	1	Duplexer

Alphabetical parts list

Table 88. Alphabetical parts list

Description	Part number	Figure and page
Duplexer	Q1860-69010	Figure 184 on page 289
Feeder controller PCA, 500-sheet feeder	RG5-7197-000CN	Figure 183 on page 288
Paper-size switch PCA, 500-sheet feeder	RG5-4212-020CN	Figure 183 on page 288
500-sheet replacement tray	RG5-7164-000CN	Figure 182 on page 286
Paper pickup drive assembly	RG5-7194-000CN	Figure 182 on page 286
Joint	RB2-3314-000CN	Figure 182 on page 286
Upper contact cable	RG5-7198-000CN	Figure 182 on page 286
Feed roller	RB2-3232-000CN	Figure 182 on page 286
Tray sensor assembly	RF5-4151-000CN	Figure 182 on page 286
Roller, feed, 500-sheet feeder	RF5-2634-000CN	Figure 182 on page 286
Paper arm	RF5-2635-000CN	Figure 182 on page 286
Pickup roller assembly	RF5-2636-000CN	Figure 182 on page 286
D-roller	RB1-8865-000CN	Figure 182 on page 286
Spring, tension	RS5-2632-000CN	Figure 182 on page 286
Paper sensor flag	RB3-0431-000CN	Figure 182 on page 286
Paper sensor flag link	RB3-0443-000CN	Figure 182 on page 286
Paper sensor flag link holder	RB3-0444-000CN	Figure 182 on page 286
M3x12 screw, tapping, truss head	XB4-7301-207CN	Figure 182 on page 286
500-sheet replacement tray	RG5-7164-000CN	Figure 181 on page 285
500-sheet replacement tray (exchange)	C4117-69001	Figure 181 on page 285
Tray cover, rear of 500-sheet feeder	RB3-0441-000CN	Figure 181 on page 285
Paper-size detection assembly	RG5-7196-000CN	Figure 181 on page 285
Feeder control PCA, 250-sheet feeder	RG5-7184-000CN	Figure 180 on page 284
Paper-size switch PCA, 250-sheet feeder	RG5-2125-000CN	Figure 180 on page 284
250-sheet universal tray	RG5-7188-030CN	Figure 179 on page 283
Feeder controller PCA, 250-sheet feeder	RG5-7184-000CN	Figure 179 on page 283
Roller, feed, 250-sheet feeder	RB1-7499-000CN	Figure 179 on page 283
Spring, tray-size detect	RB1-7503-000CN	Figure 179 on page 283
Pickup roller assembly	RG5-3644-000CN	Figure 179 on page 283
Pickup roller, 250-sheet trays	RB2-1821-020CN	Figure 179 on page 283
Lever, paper sensor	RB1-7501-020CN	Figure 179 on page 283
Fuser, exchange (100-120V)	Q1860-69008	Figure 178 on page 282
Fuser, exchange (220-240V)	Q1860-69009	Figure 178 on page 282
Sensor mount (rear of controller pan)	RB2-1790-000CN	Figure 177 on page 281
Sensor lever	RB2-1791-000CN	Figure 177 on page 281
Flat cable	RH2-5337-000CN	Figure 177 on page 281
Paper handling PCA	RG5-7058-000CN	Figure 176 on page 280
Dc controller	Q1860-69005	Figure 176 on page 280
Power supply (100 - 120V)	Q1860-69006	Figure 176 on page 280
Power supply (220 - 240V)	Q1860-69007	Figure 176 on page 280
Pickup gear assembly	RG9-1524-000CN	Figure 175 on page 279
Screw, tp, M3x4	XA9-0815-000CN	Figure 175 on page 279
Solenoid, pickup, SL404	RH7-5235-000CN	Figure 175 on page 279
Main gear assembly	RG5-7079-000CN	Figure 174 on page 278

Table 88. Alphabetical parts list (continued)

Description	Part number	Figure and page
Toner cartridge engagement arm	RB2-1856-040CN	Figure 174 on page 278
Screw, TP, M3x6	XA9-0267-000CN	Figure 174 on page 278
Main motor	RH7-1428-000CN	Figure 174 on page 278
250-sheet universal tray	RG5-7188-030CN	Figure 173 on page 277
Plate, length adjustment	RB2-2023-000CN	Figure 173 on page 277
Separation pad (does not include spring)	RF5-4120-000CN	Figure 173 on page 277
Spring, separation pad	RS5-2439-000CN	Figure 173 on page 277
Registration roller assembly	RG5-4916-000CN	Figure 172 on page 276
Paper feed roller assembly	RG5-7084-000CN	Figure 171 on page 275
Lever, registration sensor	RB2-1807-000CN	Figure 171 on page 275
Spring, registration sensor	RB2-1808-000CN	Figure 171 on page 275
Paper feed belt assembly	RG5-4914-000CN	Figure 170 on page 274
Large feed belt	RB2-1887-000CN	Figure 170 on page 274
Small paper feed belts	RB2-1888-000CN	Figure 170 on page 274
Transfer roller bushing cover (right)	RB2-1905-000CN	Figure 170 on page 274
Paper pick up roller assembly (Tray 2)	RG5-3521-020CN	Figure 169 on page 273
Pickup roller 250-sheet trays	RB2-1821-020CN	Figure 169 on page 273
Upper delivery assembly	RG5-3542-090CN	Figure 168 on page 272
Lever, bin-full	RB2-1980-000CN	Figure 168 on page 272
Gear, delivery roller	RS6-0357-000CN	Figure 168 on page 272
Transfer roller	RG9-1542-000CN	Figure 167 on page 271
Cable (fuser ac)	RG5-3561-000CN	Figure 167 on page 271
Cable (scanner)	RG5-7072-000CN	Figure 167 on page 271
Laser/scanner assembly	Q1860-69004	Figure 167 on page 271
Screw, M4x16, with washer	XA9-0838-000CN	Figure 167 on page 271
Transfer guide assembly	RF5-4118-000CN	Figure 166 on page 270
Pad assembly	RF5-4117-000CN	Figure 166 on page 270
Door switch	RB2-1732-000CN	Figure 166 on page 270
Door switch spring	RB2-1739-000CN	Figure 166 on page 270
Roller, lower-back delivery	RB1-6251-000CN	Figure 166 on page 270
Roller spring, lower-back delivery	RB2-2076-000CN	Figure 166 on page 270
Clutch, feed rollers	RH7-5346-000CN	Figure 166 on page 270
Roller holder, top delivery	RB2-1997-000CN	Figure 166 on page 270
Roller 1, face-down guide	RG9-1337-000CN	Figure 166 on page 270
Roller spring, top delivery	RS5-2225-020CN	Figure 166 on page 270
Roller 2, face-down guide	RB2-1998-000CN	Figure 166 on page 270
Registration roller assembly	RG5-4916-000CN	Figure 166 on page 270
E-ring	XD2-1100-322CN	Figure 166 on page 270
Pickup roller assembly, Tray 1	RG5-3519-020CN	Figure 165 on page 268
Roller, Tray 1 pickup	RB2-1820-020CN	Figure 165 on page 268
Power inlet assembly	RG5-3545-000CN	Figure 165 on page 268
Pickup shaft bushing—trays 1 and 2	RB1-6179-000CN	Figure 165 on page 268
Shutter lever	RF5-2421-000CN	Figure 165 on page 268
On/off switch	RB2-1744-000CN	Figure 165 on page 268
Paper guide	RB2-1780-000CN	Figure 165 on page 268
Tray 1 and 2 pickup shaft left bushing	RS5-1392-000CN	Figure 165 on page 268
Tray 2 spring	RB1-2190-000CN	Figure 165 on page 268

Table 88. Alphabetical parts list (continued)

Description	Part number	Figure and page
Gear, pickup, Tray 1	RB1-6130-000CN	Figure 165 on page 268
Pickup shaft bushing—trays 1 and 2	RB1-6177-000CN	Figure 165 on page 268
Switch rod	RB2-1731-000CN	Figure 165 on page 268
Grounding plate/fan housing	RB3-0352-000CN	Figure 165 on page 268
Grounding plate	RB2-1736-000CN	Figure 165 on page 268
Tray 2 rail left	RF5-2397-000CN	Figure 165 on page 268
Tray 2 rail right	RF5-2398-000CN	Figure 165 on page 268
Fan	RH7-1552-000CN	Figure 165 on page 268
Tray 2 shaft gear	RS5-0695-000CN	Figure 165 on page 268
Spring	RS5-2434-000CN	Figure 165 on page 268
Cartridge guide left	RB2-1774-000CN	Figure 165 on page 268
Cartridge guide right	RB2-1775-000CN	Figure 165 on page 268
Tray 1 separation pad	RF5-4119-000CN	Figure 164 on page 266
Tray 1 paper guide plate assembly	RG5-3520-060CN	Figure 164 on page 266
Sensor, rear door	RG5-3553-000CN	Figure 164 on page 266
Cable, paper sensor (PS307)	RG5-3554-000CN	Figure 164 on page 266
Cable, paper sensor (PS402)	RG5-3558-000CN	Figure 164 on page 266
Roller, lower delivery	RB2-1985-000CN	Figure 164 on page 266
Bushing, right lower delivery roller	RB2-1988-020CN	Figure 164 on page 266
Bushing, left lower delivery roller	RB2-1989-000CN	Figure 164 on page 266
Gear, lower delivery shaft	RS6-0357-000CN	Figure 164 on page 266
Cable, display, accessory power, photo sensor	RG5-7073-000CN	Figure 164 on page 266
Power connector	WS6-5092-000CN	Figure 164 on page 266
Grounding plate	RB1-6141-000CN	Figure 164 on page 266
Grounding plate	RB2-1734-000CN	Figure 164 on page 266
Grounding plate	RB2-1735-000CN	Figure 164 on page 266
Grounding cable	RG5-7074-000CN	Figure 164 on page 266
Lever, registration sensor	RB2-1781-000CN	Figure 164 on page 266
Lever, top-of-page sensor	RB2-1782-000CN	Figure 164 on page 266
Spring, registration sensor	RB2-1783-000CN	Figure 164 on page 266
Spring, top-of-page sensor	RB2-1784-000CN	Figure 164 on page 266
Grounding plate	RB2-1990-000CN	Figure 164 on page 266
Spring, Tray 2 size sensor	RB2-1825-000CN	Figure 164 on page 266
Screw, M3x6, TP	XA9-0267-000CN	Figure 164 on page 266
Cable, ribbon, paper-handling PCA to dc controller	RG5-7086-000CN	Figure 164 on page 266
Clutch, registration	RH7-5345-000CN	Figure 164 on page 266
Solenoid, Tray 2 pickup	RH7-5236-000CN	Figure 164 on page 266
Spring, compression	RS5-2441-000CN	Figure 164 on page 266
Sensor, PS402	WG8-5362-000CN	Figure 164 on page 266
Sensor, face-down bin-full, PS307	WG8-5375-000CN	Figure 164 on page 266
Sensor, PS403	WG8-5362-000CN	Figure 164 on page 266
Cable, paper sensor (PS403)	RG5-3523-000CN	Figure 164 on page 266
Screw, M4x10, tapping	XB4-7401-007CN	Figure 164 on page 266
E-ring	XD2-1100-322CN	Figure 164 on page 266
Cover, top	RB2-1748-000CN	Figure 163 on page 265
Control panel leaf spring	RB2-1759-000CN	Figure 163 on page 265
Cable, control panel	RG5-3575-000CN	Figure 163 on page 265

Table 88. Alphabetical parts list (continued)

Description	Part number	Figure and page
Toner cartridge door assembly	RG5-3556-040CN	Figure 163 on page 265
Control panel assembly	RG5-5438-030CN	Figure 163 on page 265
Cover, control panel LED	RB2-1758-000CN	Figure 163 on page 265
Cover, front inner	RG5-3547-040CN	Figure 162 on page 264
Tray 1 sensor arm	RB1-6134-030CN	Figure 162 on page 264
Tray 1 paper guide	RG5-3548-000CN	Figure 162 on page 264
Cover, front	Q1860-67904	Figure 162 on page 264
Cover, left side	RG5-3550-000CN	Figure 162 on page 264
Cover, rear	RG5-3551-040CN	Figure 162 on page 264
Strap, rear output support	RB2-1977-000CN	Figure 162 on page 264
Face-up tray assembly	RG5-3552-000CN	Figure 162 on page 264
Pin, front cover	RB2-1745-000CN	Figure 162 on page 264
Cover, right side	RB2-1749-000CN	Figure 162 on page 264
Cover, face-down auxiliary	RB2-1747-000CN	Figure 162 on page 264
Cover, right corner	RB2-1755-000CN	Figure 162 on page 264
Cover, left corner	RB2-1756-000CN	Figure 162 on page 264
Overlay, English (other languages available)	C4110-40004	Figure 162 on page 264

Numerical parts list

Table 89. Numerical parts list

Part number	Description	Figure and page
Q1860-67904	Cover, front	Figure 162 on page 264
Q1860-69005	Dc controller	Figure 176 on page 280
Q1860-69010	Duplexer	Figure 184 on page 289
Q1860-69008	Fuser, exchange (100-120V)	Figure 178 on page 282
Q1860-69009	Fuser, exchange (220-240V)	Figure 178 on page 282
Q1860-69004	Laser/scanner assembly	Figure 167 on page 271
Q1860-69006	Power supply (100 - 120V)	Figure 176 on page 280
Q1860-69007	Power supply (220 - 240V)	Figure 176 on page 280
C4110-40004	Overlay, English (other languages available)	Figure 162 on page 264
C4117-69001	500-sheet replacement tray (exchange)	Figure 181 on page 285
RB1-2190-000CN	Tray 2 spring	Figure 165 on page 268
RB1-6130-000CN	Gear, pickup, Tray 1	Figure 165 on page 268
RB1-6134-030CN	Tray 1 sensor arm	Figure 162 on page 264
RB1-6141-000CN	Grounding plate	Figure 164 on page 266
RB1-6177-000CN	Pickup shaft bushing—trays 1 and 2	Figure 165 on page 268
RB1-6179-000CN	Pickup shaft bushing—trays 1 and 2	Figure 165 on page 268
RB1-6251-000CN	Roller, lower-back delivery	Figure 166 on page 270
RB1-7499-000CN	Roller, feed, 250-sheet feeder	Figure 179 on page 283
RB1-7501-020CN	Lever, paper sensor	Figure 179 on page 283
RB1-7503-000CN	Spring, tray-size detect	Figure 179 on page 283
RB1-8865-000CN	D-roller	Figure 182 on page 286
RB2-1731-000CN	Switch rod	Figure 165 on page 268
RB2-1732-000CN	Door switch	Figure 166 on page 270
RB2-1734-000CN	Grounding plate	Figure 164 on page 266
RB2-1735-000CN	Grounding plate	Figure 164 on page 266
RB2-1736-000CN	Grounding plate	Figure 165 on page 268
RB2-1739-000CN	Door switch spring	Figure 166 on page 270
RB2-1744-000CN	On/off switch	Figure 165 on page 268
RB2-1745-000CN	Pin, front cover	Figure 162 on page 264
RB2-1747-000CN	Cover, face-down auxiliary	Figure 162 on page 264
RB2-1748-000CN	Cover, top	Figure 163 on page 265
RB2-1749-000CN	Cover, right side	Figure 162 on page 264
RB2-1755-000CN	Cover, right corner	Figure 162 on page 264
RB2-1756-000CN	Cover, left corner	Figure 162 on page 264
RB2-1758-000CN	Cover, control panel LED	Figure 163 on page 265
RB2-1759-000CN	Control panel leaf spring	Figure 163 on page 265
RB2-1774-000CN	Cartridge guide left	Figure 165 on page 268
RB2-1775-000CN	Cartridge guide right	Figure 165 on page 268
RB2-1780-000CN	Paper guide	Figure 165 on page 268
RB2-1781-000CN	Lever, registration sensor	Figure 164 on page 266
RB2-1782-000CN	Lever, top-of-page sensor	Figure 164 on page 266
RB2-1783-000CN	Spring, registration sensor	Figure 164 on page 266
RB2-1784-000CN	Spring, top-of-page sensor	Figure 164 on page 266
RB2-1790-000CN	Sensor mount (rear of controller pan)	Figure 177 on page 281

Table 89. Numerical parts list (continued)

Part number	Description	Figure and page
RB2-1791-000CN	Sensor lever	Figure 177 on page 281
RB2-1807-000CN	Lever, registration sensor	Figure 171 on page 275
RB2-1808-000CN	Spring, registration sensor	Figure 171 on page 275
RB2-1820-020CN	Roller, Tray 1 pickup	Figure 165 on page 268
RB2-1821-020CN	Pickup roller 250-sheet trays	Figure 169 on page 273
RB2-1821-020CN	Pickup roller, 250-sheet trays	Figure 179 on page 283
RB2-1825-000CN	Spring, Tray 2 size sensor	Figure 164 on page 266
RB2-1856-040CN	Toner cartridge engagement arm	Figure 174 on page 278
RB2-1887-000CN	Large feed belt	Figure 170 on page 274
RB2-1888-000CN	Small paper feed belts	Figure 170 on page 274
RB2-1905-000CN	Transfer roller bushing cover (right)	Figure 170 on page 274
RB2-1977-000CN	Strap, rear output support	Figure 162 on page 264
RB2-1980-000CN	Lever, bin-full	Figure 168 on page 272
RB2-1985-000CN	Roller, lower delivery	Figure 164 on page 266
RB2-1988-020CN	Bushing, right lower delivery roller	Figure 164 on page 266
RB2-1989-000CN	Bushing, left lower delivery roller	Figure 164 on page 266
RB2-1990-000CN	Grounding plate	Figure 164 on page 266
RB2-1997-000CN	Roller holder, top delivery	Figure 166 on page 270
RB2-1998-000CN	Roller 2, face-down guide	Figure 166 on page 270
RB2-2023-000CN	Plate, length adjustment	Figure 173 on page 277
RB2-2076-000CN	Roller spring, lower-back delivery	Figure 166 on page 270
RB2-3232-000CN	Feed roller	Figure 182 on page 286
RB2-3314-000CN	Joint	Figure 182 on page 286
RB3-0352-000CN	Grounding plate/fan housing	Figure 165 on page 268
RB3-0431-000CN	Paper sensor flag	Figure 182 on page 286
RB3-0441-000CN	Tray cover, rear of 500-sheet feeder	Figure 181 on page 285
RB3-0443-000CN	Paper sensor flag link	Figure 182 on page 286
RB3-0444-000CN	Paper sensor flag link holder	Figure 182 on page 286
RF5-2397-000CN	Tray 2 rail left	Figure 165 on page 268
RF5-2398-000CN	Tray 2 rail right	Figure 165 on page 268
RF5-2421-000CN	Shutter lever	Figure 165 on page 268
RF5-2634-000CN	Roller, feed, 500-sheet feeder	Figure 182 on page 286
RF5-2635-000CN	Paper arm	Figure 182 on page 286
RF5-2636-000CN	Pickup roller assembly	Figure 182 on page 286
RF5-4117-000CN	Pad assembly	Figure 166 on page 270
RF5-4118-000CN	Transfer guide assembly	Figure 166 on page 270
RF5-4119-000CN	Tray 1 separation pad	Figure 164 on page 266
RF5-4120-000CN	Separation pad (does not include spring)	Figure 173 on page 277
RF5-4151-000CN	Tray sensor assembly	Figure 182 on page 286
RG5-2125-000CN	Paper-size switch PCA, 250-sheet feeder	Figure 180 on page 284
RG5-3519-020CN	Pickup roller assembly, Tray 1	Figure 165 on page 268
RG5-3520-060CN	Tray 1 paper guide plate assembly	Figure 164 on page 266
RG5-3521-020CN	Paper pick up roller assembly (Tray 2)	Figure 169 on page 273
RG5-3523-000CN	Cable, paper sensor (PS403)	Figure 164 on page 266
RG5-3542-090CN	Upper delivery assembly	Figure 168 on page 272
RG5-3545-000CN	Power inlet assembly	Figure 165 on page 268
RG5-3547-040CN	Cover, front inner	Figure 162 on page 264

Table 89. Numerical parts list (continued)

Part number	Description	Figure and page
RG5-3548-000CN	Tray 1 paper guide	Figure 162 on page 264
RG5-3550-000CN	Cover, left side	Figure 162 on page 264
RG5-3551-040CN	Cover, rear	Figure 162 on page 264
RG5-3552-000CN	Face-up tray assembly	Figure 162 on page 264
RG5-3553-000CN	Sensor, rear door	Figure 164 on page 266
RG5-3554-000CN	Cable, paper sensor (PS307)	Figure 164 on page 266
RG5-3556-040CN	Toner cartridge door assembly	Figure 163 on page 265
RG5-3558-000CN	Cable, paper sensor (PS402)	Figure 164 on page 266
RG5-3561-000CN	Cable (fuser ac)	Figure 167 on page 271
RG5-3575-000CN	Cable, control panel	Figure 163 on page 265
RG5-3644-000CN	Pickup roller assembly	Figure 179 on page 283
RG5-4212-020CN	Paper-size switch PCA, 500-sheet feeder	Figure 183 on page 288
RG5-4914-000CN	Paper feed belt assembly	Figure 170 on page 274
RG5-4916-000CN	Registration roller assembly	Figure 172 on page 276
RG5-4916-000CN	Registration roller assembly	Figure 166 on page 270
RG5-5438-030CN	Control panel assembly	Figure 163 on page 265
RG5-7058-000CN	Paper handling PCA	Figure 176 on page 280
RG5-7072-000CN	Cable (scanner)	Figure 167 on page 271
RG5-7073-000CN	Cable, display, accessory power, photo sensor	Figure 164 on page 266
RG5-7074-000CN	Grounding cable	Figure 164 on page 266
RG5-7079-000CN	Main gear assembly	Figure 174 on page 278
RG5-7084-000CN	Paper feed roller assembly	Figure 171 on page 275
RG5-7086-000CN	Cable, ribbon, paper-handling PCA to dc controller	Figure 164 on page 266
RG5-7164-000CN	500-sheet replacement tray	Figure 182 on page 286
RG5-7164-000CN	500-sheet replacement tray	Figure 181 on page 285
RG5-7184-000CN	Feeder control PCA, 250-sheet feeder	Figure 180 on page 284
RG5-7184-000CN	Feeder controller PCA, 250-sheet feeder	Figure 179 on page 283
RG5-7188-030CN	250-sheet universal tray	Figure 179 on page 283
RG5-7188-030CN	250-sheet universal tray	Figure 173 on page 277
RG5-7194-000CN	Paper pickup drive assembly	Figure 182 on page 286
RG5-7196-000CN	Paper-size detection assembly	Figure 181 on page 285
RG5-7197-000CN	Feeder controller PCA, 500-sheet feeder	Figure 183 on page 288
RG5-7198-000CN	Upper contact cable	Figure 182 on page 286
RG9-1337-000CN	Roller 1, face-down guide	Figure 166 on page 270
RG9-1524-000CN	Pickup gear assembly	Figure 175 on page 279
RG9-1542-000CN	Transfer roller	Figure 167 on page 271
RH2-5337-000CN	Flat cable	Figure 177 on page 281
RH7-1428-000CN	Main motor	Figure 174 on page 278
RH7-1552-000CN	Fan	Figure 165 on page 268
RH7-5235-000CN	Solenoid, pickup, SL404	Figure 175 on page 279
RH7-5236-000CN	Solenoid, Tray 2 pickup	Figure 164 on page 266
RH7-5345-000CN	Clutch, registration	Figure 164 on page 266
RH7-5346-000CN	Clutch, feed rollers	Figure 166 on page 270
RS5-0695-000CN	Tray 2 shaft gear	Figure 165 on page 268
RS5-1392-000CN	Tray 1 and 2 pickup shaft left bushing	Figure 165 on page 268
RS5-2225-020CN	Roller spring, top delivery	Figure 166 on page 270
RS5-2434-000CN	Spring	Figure 165 on page 268

Table 89. Numerical parts list (continued)

Part number	Description	Figure and page
RS5-2439-000CN	Spring, separation pad	Figure 173 on page 277
RS5-2441-000CN	Spring, compression	Figure 164 on page 266
RS5-2632-000CN	Spring, tension	Figure 182 on page 286
RS6-0357-000CN	Gear, delivery roller	Figure 168 on page 272
RS6-0357-000CN	Gear, lower delivery shaft	Figure 164 on page 266
WG8-5362-000CN	Sensor, PS402	Figure 164 on page 266
WG8-5362-000CN	Sensor, PS403	Figure 164 on page 266
WG8-5375-000CN	Sensor, face-down bin-full, PS307	Figure 164 on page 266
WS6-5092-000CN	Power connector	Figure 164 on page 266
XA9-0267-000CN	Screw, M3x6, TP	Figure 164 on page 266
XA9-0267-000CN	Screw, TP, M3x6	Figure 174 on page 278
XA9-0815-000CN	Screw, tp, M3x4	Figure 175 on page 279
XA9-0838-000CN	Screw, M4x16, with washer	Figure 167 on page 271
XB4-7301-207CN	M3x12 screw, tapping, truss head	Figure 182 on page 286
XB4-7401-007CN	Screw, M4x10, tapping	Figure 164 on page 266
XD2-1100-322CN	E-ring	Figure 166 on page 270
XD2-1100-322CN	E-ring	Figure 164 on page 266